

PRODUCT SPEC

2

0

1

2



XC/ATB
29er
DH/FR/AM
DIRT JUMP
TREKKING/CROSS

RST

EVOLUTION	03
SYMBOL	05
PRODUCT OVERVIEW	06
COLOR OPTIONS	06

07

XC/ATB

FIRST WIRELESS	09
FIRST 32-15	10
FIRST 32	11
SATURN	12
FIRST 30 -P	13
FIRST 30-15	14
FIRST 30AIR	14
FIRST 24	15
OMEGA	16
BLAZE	17
GILA / CAPA	18

19

29er'

FIRST 29	20
OMEGA 29	21
BLAZE29	22

23

DH/FR/AM

SIGMA	25
RI	25
STORM	26
TITAN 15	27
TITAN	28

CONTENTS

29

DIRT JUMP

SPACE	30
SLOPE	31
DIRT	32

38

TREKKING & CROSS

VOGUE	35
VITA	36
NEON PLS	37
NEON ICS / NEON	38
ORION	39
WISH	40
SOFI PLS / SOFI ICS	41
SOFI	42
SINGLE SHOCK A-SERIES	
RIGID FORK	43
SINGLE SHOCK M-series	44
URBAN	45
191/777/790	46
ELEMENT	47

DIMENSIONS	48
ACCESSORIES AND TOOLS	49

SPEC	51
GLOBAL OVERVIEW	61
GLOBAL DISTRIBUTORS	62

Keep riding with RST!!

From 1972, RST bring you the finest suspension technology to change your traveling style. To offer you the most innovative product is our mission in our past, present and future.

EVOLUTION



ICS Integrated Crown Set.

The integrated combination design for front light and fork which offer below benefits.

- Stable structure for front light fixing.
- Prevent the frequent vibration affect the lifespan of halogen bulb.
- Be capable for different fork model.
- Special bracket design for B+M, Basta and Spanninga. You can have more different choice to select your favorite front light.



2009



SRL Smart Remote Lockout

The shifter position could be adjusted in vertical or horizontal by releasing the fixed bolt!

No need to worry about any interference trouble.



2010



ERL

Wireless Remote Damping Control System.

Electric wireless damping control system, which allow riders to adjust the damping performance (Compression to Lockout) more precisely and rapidly from wireless remote module. Both Rechargeable battery and Low-power warning system to keep you out of trouble for the power supply problem.

RST is on the right track to provide you the best remote suspension control system.



2011

Flow gate



Lockout
Compression
adjuster

2017

4 STEP AIR CHAMBER

Control the Air-Preload without air pump. An easy way to adjust the air chamber by crown-mounted aluminum adjuster.



Air preload
adjuster

OCR PLATFORM

Feature of OCR PLATFORM damper:

- High/Low Speed Compression control and Lock-out.
- Rebound adjuster in bottom of fork leg for rebound damping control.
- Flow gate adjust to control the "blow-off" valve to absorb sudden impact along the trail. (Under slow rebound or lock-out position)

2017

2017



PLS Post Lighting System

Front lamp holder integrated into fork arch from post side by fixing two bolts. Still keep the clean look with fork arch and plastic protection cover also available to cover the open slot if without front lamp assembly.

RL Improved Remote Lock-out Shifter

Not only to keep the size smaller than previous one, the new RL shifter also be capable for both right hand and left hand side assembly. Open type clamp also let customer assemble it onto the handlebar easily and rapidly.



2017



SYMBOL

Category	Symbol	Code	Description
Wheel		700c	Available for 700c wheel
		29	Available for 29' wheel
		26	Available for 26' wheel
		24	Available for 24' wheel
		20	Available for 20' wheel
Material		MAG	Magnesium casting
		ALU	Aluminum casting
		STL	Steel
Brake		V-brake	V-brake boss available
		Post disc (max)	Post disc mount available with recommended disc diameter
		IS disc (max)	IS disc mount available with recommended disc diameter
		Roller	Roller brake anchor boss available (option)
Accessory		Carrier	Front carrier mount available (option)
		Dynamo	Dynamo mount available
		PLS	Post Lighting System
		ICS	Integrated Crown Set
		Cable routing	Cable routing available for hub dynamo cable
System		OCR Platform	Hydraulic Damping Control System
		OCR	Equipped with OCR system
		OCR2	Equipped with OCR2 system
		OCR3	Equipped with OCR3 system
		RA	RA option available
		4AIR	4 Step Air Chamber
		AIR	Equipped with AIR system
		T	Spring pre-load adjustment available
		C	Spring only, Non adjustable
		SRL	SRL option available
	RL	RL option available	
	TNL	TNL option available	
	ML	ML option available	
	TQC	Equipped with TQC dropout	
	15 QR	Equipped with 15mm QR axle.	
	1.5" CROWN	1.5" Crown option available	

PRODUCT OVERVIEW

		Down Hill	Free Ride	All Mountain	XC	29'er	Dirt Jump	Leisure Sport	Junior	Cross	Trekking	Rear Shock
Taiwan-Made Products	\$\$\$\$	SIGMA			F1RST 30-15 Wireless							
		R1			F1RST 30 Wireless							
	\$\$\$		STORM		F1RST 32-15	F1RST 29 Air	SPACE		F1RST 24	VOGUE	ORION	ELEMENT
				TITAN 15	F1RST 32		SLOPE				Single Shock M series	
				TITAN	F1RST 30-15						Single Shock A series	
				F1RST 30 SATURN								
China-Made Products	\$\$				OMEGA	OMEGA 29	DIRT	CAPA 26	CAPA 24/20	VITA	WISH	
					BLAZE	BLAZE 29				NEON PLS	SOFI PLS	
					GILA					NEON ICS	SOFI ICS	
									NEON	SOFI	URBAN	
	\$							191 26"	191 24"/20"	777	790	

COLOR OPTIONS



DK-8011 SHINY BLACK (YS-728)



DK-8010 MATT BLACK (YS-727)



DK-0011 GLOSS WHITE (YS-701)



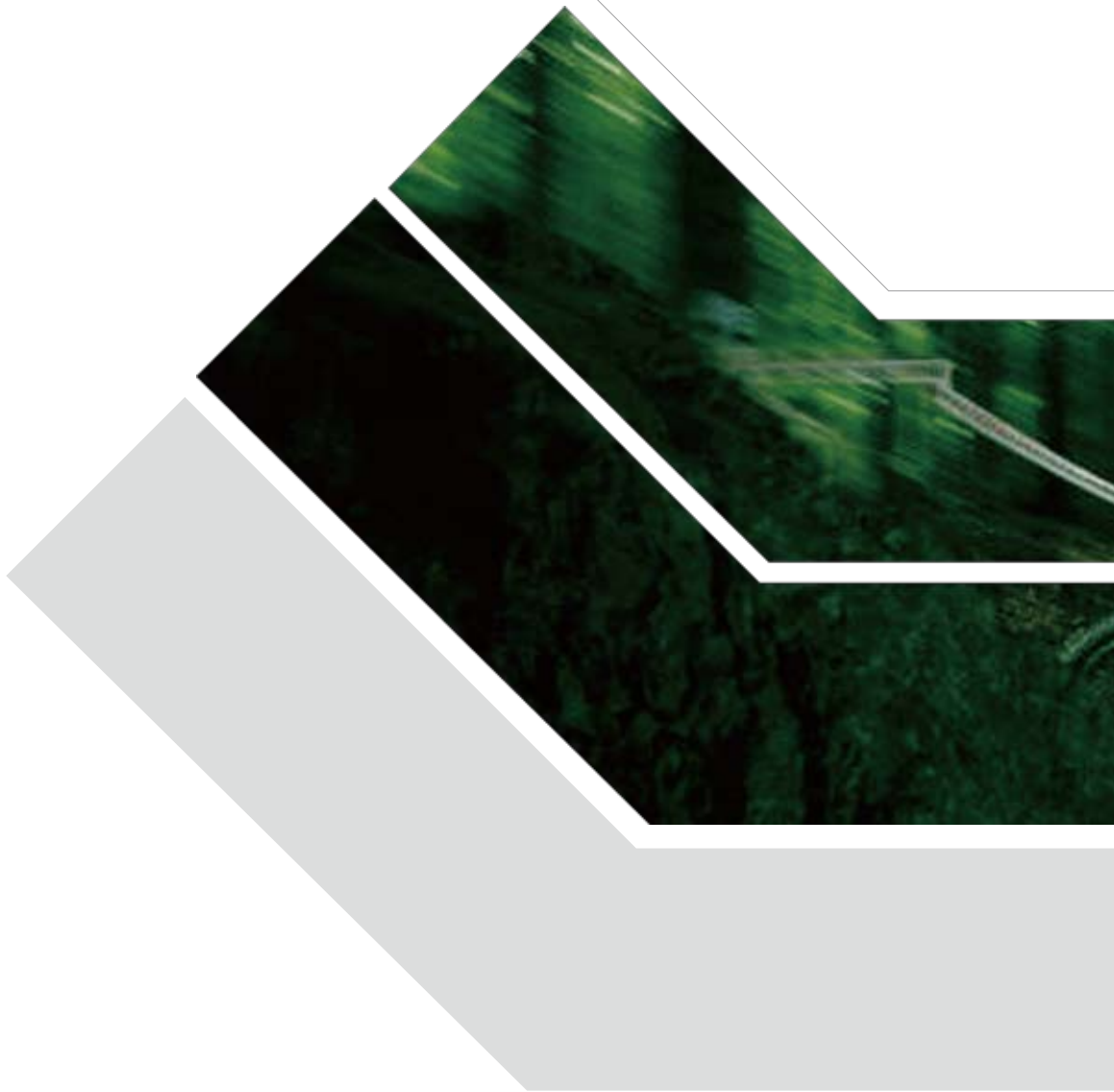
DK-0012 PEARL WHITE (YS-775)



DK-9032 GLOSS SILVER (YS-7605)

STEERER WEIGHT

Steerer Tube		Length	Weight
Aluminum 7050	28.6mm	265mm	166.5g
Aluminum 7050	1.5"	250mm	180g
Aluminum 7050	1.5" Taper	260mm	170g
Hi-ten	28.6mm	250mm	304g
Hi-ten	25.4mm	260mm	283g



XC/ATB



CROSS COUNTRY

For off-road riding along the mountain trails which contains some smaller obstacles and bumps. The front fork request light weight well performance and minimum 80mm travel equipped.





FIRST WIRELESS

MODEL	30-15 wireless	30 wireless
STEERER	28.6mm 7050 Aluminum Optional 1.5" 7050 Aluminum steerer tube	28.6mm 7050 Aluminum Optional 1.5" 7050 Aluminum steerer tube
CROWN PITCH	130mm	130mm
CROWN	Aluminum Black Coating	Aluminum Black Coating
STANCHION	30mm 7050Aluminum Hard Anodize	30mm 7050Aluminum Hard Anodize
CASTING	Magnesium 15 QR	Magnesium 9mm Open Dropout
ADJUSTMENT	A, R, ERL, C	A, R, RL, C
FEATURES	15mm Axle, Hydraulic Rebound-adjust, Electric Remote Lock-out, Air spring	Hydraulic Rebound-adjust, Electric Remote Lock-out, Air spring
SYSTEM	Oil(R), Air(L)	Oil(R), Air(L)
TRAVEL(mm)	80, 100, 120 mm	80, 100 mm
BRAKE TYPE	Disc only	Disc or Disc & V-brake
WEIGHT(kgs) (w/200mm steerer)	2.00	1.75

*A:Air, C:Compression, R:Rebound, ERL:Electric Remote Lock-out,QR:Quick Release Adapter
 *Steerer Tube Options: A. 1.5"Aluminum B. 1.5" to 1 1/8" Tapered Aluminum



FIRST 32-15

MODEL	Platform & Air Adj	Air-SRL	Air
STEERER		28.6mm 7050 Aluminum Optional 1.5" 7050 Aluminum steerer tube	
CROWN PITCH		130mm	
CROWN		Aluminum Black Coating	
STANCHION		32mm 7050Aluminum Hard Anodize	
CASTING		Magnesium 15mm QR	
ADJUSTMENT	4A, R, C, F	A, R, RL, C	A, R, L, C
FEATURES	15mm Axle, Platform High/Low speed Compression, Rebound- adjust, w/ 4 Step Air Chamber	15mm Axle, Hydraulic Compression and Rebound-adjust, Remote Lock-out, Air spring	15mm Axle, Hydraulic Rebound-adjust, Lock-out, Air spring
SYSTEM	OCR Platform(R), 4 Step Air(L)	Oil(R), Air(L)	Oil(R), Air(L)
TRAVEL(mm)	80, 100, 120 mm	80, 100, 120 mm	80, 100, 120 mm
BRAKE TYPE	Disc only	Disc only	Disc only
WEIGHT(kgs) (w/200mm steerer)	2.17	2.17	2.12



*F:Flow Gate, 4A:4 Step Air Chamber, A:Air, C:Compression, R:Rebound, RL:Remote Lock-out, L:Lock-out,QR:Quick Release Adapter
 *Steerer Tube Options: A. 1.5"Aluminum B. 1.5" to 1 1/8" Tapered Aluminum



NEW!



MODEL	Platform & Air Adj
STEERER	28.6mm 7050 Aluminum Optional 1.5" 7050 Aluminum steerer tube
CROWN PITCH	130mm
CROWN	Aluminum Black Coating
STANCHION	32mm 7050 Aluminum Hard Anodize
CASTING	Magnesium 9mm Open Dropout
ADJUSTMENT	4A, R, C, F
FEATURES	Platform High/Low speed Compression, Rebound-adjust, w/ 4 Step Air Chamber
SYSTEM	OCR Platform(R), 4 Step Air(L)
TRAVEL(mm)	80, 100, 120 mm
BRAKE TYPE	Disc or Disc & V-brake
WEIGHT(kgs) (w/200mm steerer)	1.85

*F:Flow Gate, 4A:4 Step Air Chamber, A:Air, C:Compression, R:Rebound, RL:Remote Lock-out, L:Lock-out

SATURN

MODEL	3-RL	3
STEERER	28.6mm Steel Optional 1.5" 7050 Aluminum steerer tube	28.6mm Steel Optional 1.5" 7050 Aluminum steerer tube
CROWN PITCH	130mm	130mm
CROWN	Aluminum Black Coating	Aluminum Black Coating
STANCHION	32mm Steel Ti color	32mm Steel Ti color
CASTING	Magnesium 9mm Open Dropout	Magnesium 9mm Open Dropout
ADJUSTMENT	P, R, RL, C	P, R, L, C
FEATURES	Hydraulic Rebound-adjust, Remote Lock-out	Hydraulic Rebound-adjust, Lock-out
SYSTEM	OCR 3(R), Coil/MCU(L)	OCR 3(R), Coil/MCU(L)
TRAVEL(mm)	80, 100, 120 mm	80, 100, 120 mm
BRAKE TYPE	Disc or Disc & V-brake	Disc or Disc & V-brake
WEIGHT(kgs) (w/200mm steerer)	2.53	2.48





FIRST 32

Air-SRL

Air

28.6mm 7050 Aluminum
Optional 1.5" 7050 Aluminum steerer tube

28.6mm 7050 Aluminum
Optional 1.5" 7050 Aluminum steerer tube

130mm

130mm

Aluminum Black Coating

Aluminum Black Coating

32mm 7050Aluminum Hard Anodize

32mm 7050Aluminum Hard Anodize

Magnesium
9mm Open Dropout

Magnesium
9mm Open Dropout

A, R, RL, C

A, R, L, C

Hydraulic Compression and Rebound-adjust,
Remote Lock-out, Air spring

Hydraulic Rebound-adjust,
Lock-out, Air spring

Oil(R), Air(L)

Oil(R), Air(L)

80, 100, 120 mm

80, 100, 120 mm

Disc or Disc & V-brake

Disc or Disc & V-brake

1.85

1.80

*Steerer Tube Options: A. 1.5"Aluminum B. 1.5" to 1 1/8" Tapered Aluminum



2-RL

2

28.6mm Steel
Optional 1.5" 7050 Aluminum
steerer tube

28.6mm Steel
Optional 1.5" 7050 Aluminum
steerer tube

130mm

130mm

Aluminum Black Coating

Aluminum Black Coating

32mm Steel Ti color

32mm Steel Ti color

Magnesium
9mm Open Dropout

Magnesium
9mm Open Dropout

P, RL

P, L

Hydraulic Remote Lock-out

Hydraulic Lock-out

Oil(R), Coil/MCU(L)

Oil(R), Coil/MCU(L)

80, 100, 120 mm

80, 100, 120 mm

Disc or Disc & V-brake

Disc or Disc & V-brake

2.53

2.48

*Steerer Tube Options: A. 1.5"Aluminum B. 1.5" to 1 1/8" Tapered Aluminum

*C:Compression, R:Rebound, RL:Remote Lock-out, L:Lock-out, P:Preload





FIRST PLATINUM

MODEL	Platinum-SRL	Platinum
STEERER	28.6mm 7050 Aluminum Optional 1.5" 7050 Aluminum steerer tube	28.6mm 7050 Aluminum Optional 1.5" 7050 Aluminum steerer tube
CROWN PITCH	130mm	130mm
CROWN	Aluminum Black Coating	Aluminum Black Coating
STANCHION	30mm 7050Aluminum Hard Anodize	30mm 7050Aluminum Hard Anodize
CASTING	Magnesium 9mm Open Dropout	Magnesium 9mm Open Dropout
ADJUSTMENT	A, R, RL, C	A, R, L, C
FEATURES	Hydraulic Rebound-adjust, Remote Lock-out, Air spring	Hydraulic Rebound-adjust, Lock-out, Air spring
SYSTEM	Oil(R), Air(L)	Oil(R), Air(L)
TRAVEL(mm)	80, 100 mm	80, 100 mm
BRAKE TYPE	Disc or Disc & V-brake	Disc or Disc & V-brake
WEIGHT(kgs) (w/200mm steerer)	1.50	1.45

*A:Air, C:Compression, R:Rebound, RL:Remote Lock-out, L:Lock-out
 *Steerer Tube Options: A. 1.5" Aluminum B. 1.5" to 1 1/8" Tapered Aluminum



BIKE APR/2009
 "In der Race-Klasse ist die First Platinum perfekt aufgehoben und im Preis/Leistungs-Verhältnis unschlagbar."
 "In race-category the fork is perfectly placed and it is unbeatable in price-value-ratio."



FIRST 30-15

MODEL	Air-SRL	Air
STEERER	28.6mm 7050 Aluminum Optional 1.5" 7050 Aluminum steerer tube	28.6mm 7050 Aluminum Optional 1.5" 7050 Aluminum steerer tube
CROWN PITCH	130mm	130mm
CROWN	Aluminum Black Coating	Aluminum Black Coating
STANCHION	30mm 7050Aluminum Hard Anodize	30mm 7050Aluminum Hard Anodize
CASTING	Magnesium 15QR	Magnesium 15QR
ADJUSTMENT	A, R, RL, C	A, R, L, C
FEATURES	15mm Axle, Hydraulic Rebound-adjust, Remote Lock-out, Air spring	15mm Axle, Hydraulic Rebound-adjust, Lock-out, Air spring
SYSTEM	Oil(R), Air(L)	Oil(R), Air(L)
TRAVEL(mm)	80, 100, 120 mm	80, 100, 120 mm
BRAKE TYPE	Disc only	Disc only
WEIGHT(kgs) (w/200mm steerer)	2.00	1.95

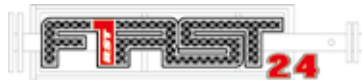


FIRST 30

MODEL	Air-SRL	Air
STEERER	28.6mm 7050 Aluminum Optional 1.5" 7050 Aluminum steerer tube	28.6mm 7050 Aluminum Optional 1.5" 7050 Aluminum steerer tube
CROWN PITCH	130mm	130mm
CROWN	Aluminum Black Coating	Aluminum Black Coating
STANCHION	30mm 7050Aluminum Hard Anodize	30mm 7050Aluminum Hard Anodize
CASTING	Magnesium 9mm Open Dropout	Magnesium 9mm Open Dropout
ADJUSTMENT	A, R, RL, C	A, R, L, C
FEATURES	Hydraulic Rebound-adjust, Remote Lock-out, Air spring	Hydraulic Rebound-adjust, Lock-out, Air spring
SYSTEM	Oil(R), Air(L)	Oil(R), Air(L)
TRAVEL(mm)	80, 100 mm	80, 100 mm
BRAKE TYPE	Disc or Disc & V-brake	Disc or Disc & V-brake
WEIGHT(kgs) (w/200mm steerer)	1.75	1.70



*A:Air, C:Compression, R:Rebound, RL:Remote Lock-out, L:Lock-out, QR:Quick Release Adapter
*Steerer Tube Options: A. 1.5" Aluminum B. 1.5" to 1 1/8" Tapered Aluminum



MODEL

- STEERER
- CROWN PITCH
- CROWN
- STANCHION
- CASTING
- ADJUSTMENT
- FEATURES
- SYSTEM
- TRAVEL(mm)
- BRAKE TYPE
- WEIGHT(kgs)
(w/200mm steerer)

*A:Air, C:Compression, R:Rebound, RL:Remote Lock-out, L:Lock-out

OMEGA

MODEL	RL
STEERER	28.6mm Steel
CROWN PITCH	130mm
CROWN	Aluminum ED Black
STANCHION	30mm Steel Ti Color
CASTING	Magnesium 9mm Open Dropout
ADJUSTMENT	RL, C, P
FEATURES	Hydraulic Remote Lock-out
SYSTEM	Oil(R), Coil/MCU(L)
TRAVEL(mm)	80, 100,120 mm
BRAKE TYPE	Disc or Disc & V-brake
WEIGHT(kgs) (w/200mm steerer)	2.33





FIRST 24

Air-SRL

Air

28.6mm 7050 Aluminum	28.6mm 7050 Aluminum
125mm	125mm
Aluminum Black Coating	Aluminum Black Coating
28.6mm 7050Aluminum Hard Anodize	28.6mm 7050Aluminum Hard Anodize
Magnesium 9mm Open Dropout	Magnesium 9mm Open Dropout
A, R, RL, C	A, R, L, C
Hydraulic Rebound-adjust, Remote Lock-out, Air spring	Hydraulic Rebound-adjust, Lock-out Air spring
Oil(R), Air(L)	Oil(R), Air(L)
60 mm	60 mm
Disc & V-brake	Disc & V-brake
1.65	1.60



TNL

ML

28.6mm Steel	28.6mm Steel
130mm	130mm
Aluminum ED Black	Aluminum ED Black
30mm Steel Ti Color	30mm Steel Ti Color
Magnesium 9mm Open Dropout	Magnesium 9mm Open Dropout
L, C, P	L, P
Hydraulic Lock-out	Mechanical Lock-out
Oil(R), Coil/MCU(L)	Coil/MCU
80, 100,120 mm	80, 100,120 mm
Disc or Disc & V-brake	Disc or Disc & V-brake
2.28	2.05

*C:Compression, RL:Remote Lock-out, ML: Mechanical Lock-out, L:Lock-out, P:Preload



NEW!

BLAZE RST



BLAZE

MODEL	RL	TNL	ML	T
STEERER		28.6mm Steel		
CROWN PITCH		125mm		
CROWN		Aluminum ED Black		
STANCHION		30mm Steel CP Finish		
CASTING		Aluminum 9mm Open Dropout		
ADJUSTMENT	RL, C, P	L, C, P	L, P	P
FEATURES	Hydraulic Remote Lock-out	Hydraulic Lock-out	Mechanical Lock-out	-
SYSTEM	Oil(R), Coil(L)	Oil(R), Coil(L)	Coil	Coil
TRAVEL(mm)		80, 100,120 mm		
BRAKE TYPE		Disc or Disc & V-brake		
WEIGHT(kgs) (w/200mm steerer)	2.51	2.46	2.23	2.43

*C:Compression, RL:Remote Lock-out, ML: Mechanical Lock-out, L:Lock-out, P:Preload

GILA_{RST}



MODEL	RL	TNL	ML	GILA T
STEERER			28.6mm Steel	
CROWN PITCH			125mm	
CROWN			Aluminum ED Black	
STANCHION			28.6mm Steel CP Finish	
CASTING			Aluminum 9mm Open Dropout	
ADJUSTMENT	RL, C, P	L, C, P	L, P	P
FEATURES	Hydraulic Remote Lock-out	Hydraulic Lock-out	Mechanical Lock-out	-
SYSTEM	Oil(R), Coil(L)	Oil(R), Coil(L)	Coil	Coil
TRAVEL(mm)			80, 100 mm	
BRAKE TYPE			Disc or Disc & V-brake	
WEIGHT(kgs) (w/200mm steerer)	2.33	2.28	2.05	2.25

*C:Compression, RL:Remote Lock-out, ML: Mechanical Lock-out, L:Lock-out, P:Preload



CAPA_{RST}



MODEL	ML 26, 24	T26, T24, T20
STEERER	28.6/25.4mm Steel	28.6/25.4mm Steel
CROWN PITCH	120mm	120mm
CROWN	Aluminum ED Black	Aluminum ED Black
STANCHION	25.4mm Steel CP Finish	25.4mm Steel CP Finish
CASTING	Aluminum 9mm Open Dropout	Aluminum 9mm Open Dropout
ADJUSTMENT	L, P	P
FEATURES	Mechanical Lock-out	-
SYSTEM	Coil	Coil
TRAVEL(mm)	80/50 mm	80/50/50 mm
BRAKE TYPE	Disc & V-brake	Disc & V-brake
WEIGHT(kgs) (w/200mm steerer)	ML26":1.86 ML24":1.76	T26":2.06 / T24":1.96 T20":1.76

ML: Mechanical Lock-out, L:Lock-out, P:Preload



29'er





FIRST 29

MODEL	Air-SRL	Air
STEERER	28.6mm 7050 Aluminum Optional 1.5" 7050 Aluminum steerer tube	28.6mm 7050 Aluminum Optional 1.5" 7050 Aluminum steerer tube
CROWN PITCH	130mm	130mm
CROWN	Aluminum Black Coating	Aluminum Black Coating
STANCHION	32mm 7050 Aluminum Hard Anodize	32mm 7050 Aluminum Hard Anodize
CASTING	Magnesium 9mm Open Dropout	Magnesium 9mm Open Dropout
ADJUSTMENT	A, R, RL, C	A, R, L, C
FEATURES	Hydraulic Rebound-adjust, Remote Lock-out, Air spring	Hydraulic Rebound-adjust, Air spring
SYSTEM	Oil(R), Air(L)	Oil(R), Air(L)
TRAVEL(mm)	80,100 mm	80,100 mm
BRAKE TYPE	Disc only	Disc only
WEIGHT(kgs) (w/200mm steerer)	1.88	1.83



*A:Air, R:Rebound, C:Compression, RL:Remote Lock-out, L:Lock-out



NEW!



MODEL	RL
STEERER	28.6mm Steel
CROWN PITCH	130mm
CROWN	Aluminum ED Black
STANCHION	32mm Steel Ti Color
CASTING	Magnesium 9mm Open Dropout
ADJUSTMENT	RL, C, P
FEATURES	Hydraulic Remote Lock-out
SYSTEM	Oil(R), Coil(L)
TRAVEL(mm)	80, 100 mm
BRAKE TYPE	Disc only
WEIGHT(kgs) (w/200mm steerer)	2.65

*C:Compression, RL:Remote Lock-out, ML: Mechanical Lock-out, L:Lock-out, P:Preload

BLAZE 29

MODEL	RL	TNL
STEERER	28.6mm Steel	28.6mm Steel
CROWN PITCH	130mm	130mm
CROWN	Aluminum ED Black	Aluminum ED Black
STANCHION	30mm Steel CP Finish	30mm Steel CP Finish
CASTING	Aluminum 9mm Open Dropout	Aluminum 9mm Open Dropout
ADJUSTMENT	RL, C, P	L, C, P
FEATURES	Hydraulic Remote Lock-out	Hydraulic Lock-out
SYSTEM	Oil(R), Coil(L)	Oil(R), Coil(L)
TRAVEL(mm)	80, 100 mm	80, 100 mm
BRAKE TYPE	Disc or Disc & V-brake	Disc or Disc & V-brake
WEIGHT(kgs) (w/200mm steerer)	2.74	2.69





OMEGA 29

TNL	ML
28.6mm Steel	28.6mm Steel
130mm	130mm
Aluminum ED Black	Aluminum ED Black
32mm Steel Ti Color	32mm Steel Ti Color
Magnesium 9mm Open Dropout	Magnesium 9mm Open Dropout
L, C, P	L, P
Hydraulic Lock-out	Mechanical Lock-out
Oil(R), Coil(L)	Coil
80, 100 mm	80, 100 mm
Disc only	Disc only
2.60	2.37

BLAZE₂₉ RST

ML	T
28.6mm Steel	28.6mm Steel
130mm	130mm
Aluminum ED Black	Aluminum ED Black
30mm Steel CP Finish	30mm Steel CP Finish
Aluminum 9mm Open Dropout	Aluminum 9mm Open Dropout
L, P	P
Mechanical Lock-out	-
Coil	Coil
80, 100 mm	80, 100 mm
Disc or Disc & V-brake	Disc or Disc & V-brake
2.46	2.66

*C:Compression, RL:Remote Lock-out, ML: Mechanical Lock-out, L:Lock-out, P:Preload



DH/AM/FR





DOWN HILL

Extremely tough riding style for highly skilled rider who get the thrill to ride on particular steep descent. The fork for dh category needs long travel, durability and superb hydraulic performance.

FREE RIDE

In this riding style, the riders are not only to enjoy the fun from descent riding, but also need to perform their jumping skill to overcome obstacles. The fork for freeride style needs 170mm travel at least and durable structure to dominate any tough trails, as well.

ALL MOUNTAIN

Riding for long distance ascent/descent trail. The front fork for enduro category emphasized light weight, multi-function and long travel performance.



SIGMA



SIGMA MODEL

STEERER	28.6mm 7050 Aluminum
CROWN PITCH	148mm-Dual
CROWN	Aluminum Satin Black
STANCHION	36mm 7050Aluminum Hard Anodize
CASTING	CNC machined Aluminum 20mm Alloy Thru axle
ADJUSTMENT	C, R
FEATURES	Hydraulic Compression and Rebound-adjust
SYSTEM	Oil(R), Coil(L)
TRAVEL(mm)	8" (203 mm)
BRAKE TYPE	Disc only
WEIGHT(kgs) (w/200mm steerer)	3.60



R-ONE

RAPID SUSPENSION TECHNOLOGY



R-ONE MODEL

	Platform	SUPER	PRO
STEERER		28.6mm 7050 Aluminum	
CROWN PITCH		138mm-Dual	
CROWN		Aluminum Satin Black	
STANCHION		36mm 7050Aluminum Hard Anodize	
CASTING		Magnesium 20mm Alloy Thru axle	
ADJUSTMENT	R, C, F	R, C	R
FEATURES	Platform High/Low speed Compression, Rebound-adjust	Hydraulic Compression and Rebound-adjust	Hydraulic Rebound- adjust
SYSTEM	OCR Platform(R), Coil/ MCU(L)	Oil(R), Coil/MCU(L)	Oil(R), Coil/MCU(L)
TRAVEL(mm)	180 mm	180 mm	180 mm
BRAKE TYPE	Disc only	Disc only	Disc only
WEIGHT(kgs) (w/200mm steerer)	3.28	3.28	3.40

*F:Flow Gate, C:Compression, R:Rebound

STORM

RAPID SUSPENSION TECHNOLOGY



STORM

MODEL	Platform & Air Adj	Air TA or QR	SUPER TA or QR
STEERER	28.6mm 7050 Aluminum Optional 1.5" 7050 Aluminum steerer tube	28.6mm 7050 Aluminum Optional 1.5" 7050 Aluminum steerer tube	28.6mm Cr-mo steel Optional 1.5" 7050 Aluminum steerer tube
CROWN PITCH	138mm	138mm	138mm
CROWN	Aluminum Black Coating	Aluminum Black Coating	Aluminum Black Coating
STANCHION	36mm 7050Aluminum Hard Anodize	36mm 7050Aluminum Hard Anodize	36mm Cr-mo steel Ticolor Finish
CASTING	Magnesium 20mm Convertible	Magnesium 20mm Convertible	Magnesium 20mm Convertible
ADJUSTMENT	4A, R, C, F	A, R, C	R
FEATURES	Platform High/Low speed Compression, Rebound-adiust, w/ 4 Step Air Chamber	Hydraulic Compression and Rebound-adjust, Air spring	Hydraulic Rebound- adjust,
SYSTEM	OCR Platform(R), 4 Step Air(L)	Oil(R), Air(L)	Oil(R), Coil/MCU(L)
TRAVEL(mm)	140, 160, 180 mm	140, 160, 180 mm	140, 160, 180 mm
BRAKE TYPE	Disc only	Disc only	Disc only
WEIGHT(kgs) (w/200mm steerer)	2.30	2.30	2.80



**F:Flow Gate, 4A:4 Step Air Chamber, A:Air, C:Compression, R:Rebound, RL:Remote Lock-out, L:Lock-out,TA:Through Axle, QR:Quick Release Adapter
*Steerer Tube Options: A. 1.5"Aluminum B. 1.5" to 1 1/8" Tapered Aluminum

TITAN

RAPID SUSPENSION TECHNOLOGY



TITAN 15

MODEL	Platform & Air Adj	Air-SRL	Air
STEERER		28.6mm 7050 Aluminum	
		Optional 1.5" 7050 Aluminum steerer tube	
CROWN PITCH		130mm	
CROWN		Aluminum Black Coating	
STANCHION		32mm 7050Aluminum Hard Anodize	
CASTING		Magnesium 15QR	
ADJUSTMENT	4A, R, C, F	A, R, C, RL	A, R, C, L
FEATURES	Platform High/Low speed Compression, Rebound-adjust, w/ 4 Step Air Champer	Hydraulic Rebound-adjust, Remote Lock-out, Air spring	Hydraulic Rebound-adjust, Lock-out, Air spring
SYSTEM	OCR Platform(R), 4 Step Air(L)	Oil(R), Air(L)	Oil(R), Air(L)
TRAVEL(mm)	120, 140, 150 mm	120, 140, 150 mm	120, 140, 150 mm
BRAKE TYPE	Disc only	Disc only	Disc only
WEIGHT(kgs)	2.17	2.17	2.12
	(w/200mm steerer)		



*F:Flow Gate, 4A:4 Step Air Chamber, A:Air, C:Compression, R:Rebound, RL:Rebound Lock-out, L:Lock-out, QR:Quick Release Adapter
 *Steerer Tube Options: A. 1.5"Aluminum B. 1.5" to 1 1/8" Tapered Aluminum

TITAN

RAPID SUSPENSION TECHNOLOGY



TITAN

MODEL	Platform & Air Adj	Air-SRL	Air
STEERER		28.6mm 7050 Aluminum Optional 1.5" 7050 Aluminum steerer tube	
CROWN PITCH		130mm	
CROWN		Aluminum Black Coating	
STANCHION		32mm 7050 Aluminum Hard Anodize	
CASTING		Magnesium 9mm Open Dropout	
ADJUSTMENT	4A, R, C, F	A, R, C, RL	A, R, C, L
FEATURES	Platform High/Low speed Compression, Rebound-adjust, w/ 4 Step Air Chamber	Hydraulic Rebound-adjust, Remote Lock-out, Air spring	Hydraulic Rebound-adjust, Lock-out, Air spring
SYSTEM	OCR Platform(R), 4 Step Air(L)	Oil(R), Air(L)	Oil(R), Air(L)
TRAVEL(mm)	120, 140 mm	120, 140 mm	120, 140 mm
BRAKE TYPE	Disc or Disc & V-brake	Disc or Disc & V-brake	Disc or Disc & V-brake
WEIGHT(kgs) (w/200mm steerer)	1.86	1.86	1.81

*F:Flow Gate, 4A:4 Step Air Chamber, A:Air, C:Compression, R:Rebound, RL:Remote Lock-out, L:Lock-out
*Steerer Tube Options: A. 1.5" Aluminum B. 1.5" to 1 1/8" Tapered Aluminum

DIRT JUMP

DIRT JUMP

Develop from BMX riding style with 26" wheel.
It required most skilled rider to perform tricks over
concrete obstacle. The forks for Dirt jump bike need
durable structure, shorter travel and hi performance
hydraulic system.





SPACE



SPACE

MODEL	Jump TA or QR	Free TA or QR
STEERER	28.6mm 7050 Aluminum	28.6mm Cr-mo steel
CROWN PITCH	138mm	138mm
CROWN	Aluminum Black Coating	Aluminum Black Coating
STANCHION	36mm 7050Aluminum Hard Anodize	36mm Cr-mo steel Ti color
CASTING	Magnesium 20mm Convertible	Magnesium 20mm Convertible
ADJUSTMENT	A, R	R
FEATURES	Hydraulic Rebound-adjust, Air spring	Hydraulic Rebound-adjust,
SYSTEM	Oil(R), Air(L)	Oil(R), Coil/MCU(L)
TRAVEL(mm)	80, 100 mm	80, 100 mm
BRAKE TYPE	Disc only	Disc only
WEIGHT(kgs) (w/200mm steerer)	2.50	2.80

*A:Air, R:Rebound, TA:Through Axle, QR:Quick Adapter

SLOPE



SLOPE MODEL

MODEL	SLOPE
STEERER	28.6mm Cr-mo steel
CROWN PITCH	130mm
CROWN	Aluminum Black Coating
STANCHION	32mm steel Ti color
CASTING	Magnesium 9mm Open Dropoutew
ADJUSTMENT	R, P
FEATURES	Hydraulic Rebound-adjust
SYSTEM	Oil(R), Coil/MCU(L)
TRAVEL(mm)	80, 100, 130 mm
BRAKE TYPE	Disc or Disc & V-brake
WEIGHT(kgs) (w/200mm steerer)	2.60

*R:Rebound, P:Preload





DIRT RAPID SUSPENSION TECHNOLOGY

DIRT

MODEL	RA	T
STEERER	28.6mm Steel	28.6mm Steel
CROWN PITCH	130mm	130mm
CROWN	Aluminum ED Black	Aluminum ED Black
STANCHION	32mm steel CP Finish	32mm steel CP Finish
CASTING	Aluminum	Aluminum 9mm Open Dropoutw
ADJUSTMENT	R, P	P
FEATURES	Hydraulic Rebound-adjust	-
SYSTEM	Oil(R), Coil(L)	Coil
TRAVEL(mm)	80, 100, 130 mm	80, 100, 130 mm
BRAKE TYPE	Disc or Disc & V-brake	Disc or Disc & V-brake
WEIGHT(kgs) (w/200mm steerer)	2.86	2.83

*R:Rebound, P:Preload



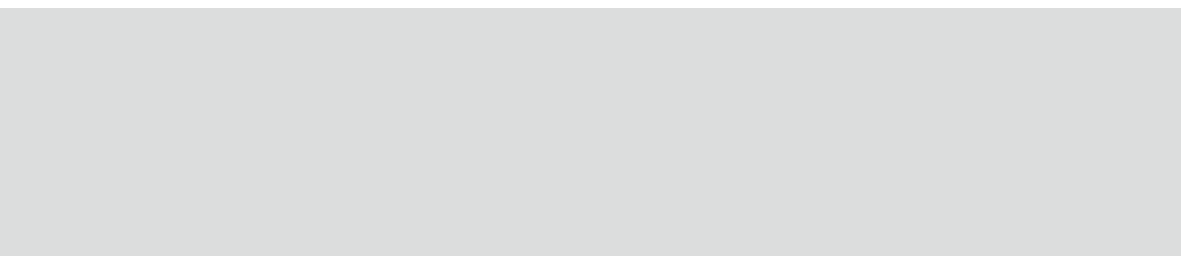
CROSS/ TREKKING

TREKKING

Riding along gravel roads for expedition and leisure exercise purpose. Trekking bike front fork needs compatible design with hub dynamo, roller brake and fender...

In addition, it also needs light weight specification and also need minimum 50mm travel if encounter some bumps while pedaling.







MODEL

STEERER
 CROWN PITCH
 CROWN
 STANCHION
 CASTING
 ADJUSTMENT
 FEATURES
 SYSTEM
 TRAVEL(mm)
 BRAKE TYPE
 WEIGHT(kgs)
 (w/200mm steerer)
 Suitable for : Pedelec only

*A:Air, C:Compression, R:Rebound, RL:Remote Lock-out, L:Lock-out

VITA

MODEL

RL

STEERER	28.6/25.4 mm Steel
CROWN PITCH	112mm
CROWN	Aluminum ED Black
STANCHION	28.6mm Steel Ti Color
CASTING	Magnesium 10mm Open Dropout
ADJUSTMENT	RL, C, P
FEATURES	Hydraulic Remote Lock-out
SYSTEM	Oil(R), Coil/MCU(L)
TRAVEL(mm)	50, 60 mm
BRAKE TYPE	Disc or Disc & V-brake
WEIGHT(kgs) (w/200mm steerer)	2.13

Suitable for : Pedelec only





VOGUE

Air-SRL

Air

28.6mm 7050 Aluminum	28.6mm 7050 Aluminum
112mm	112mm
Aluminum Black Coating	Aluminum Black Coating
28.6mm 7050Aluminum Hard Anodize	28.6mm 7050Aluminum Hard Anodize
Magnesium 10mm Open Dropout	Magnesium10mm Open Dropout
A, R, RL, C	A, R, L, C
Hydraulic Rebound-adjust, Remote Lock-out, Air spring	Hydraulic Rebound-adjust, Lock-out, Air spring
Oil(R), Air(L)	Oil(R), Air(L)
50, 60, 75 mm	50, 60, 75 mm
Disc or Disc & V-brake	Disc or Disc & V-brake
1.66	1.61



TNL	ML
28.6/25.4 mm Steel	28.6/25.4 mm Steel
112mm	112mm
Aluminum ED Black	Aluminum ED Black
28.6mm Steel Ti Color	28.6mm Steel Ti Color
Magnesium 10mm Open Dropout	Magnesium 10mm Open Dropout
L, C, P	L, P
Hydraulic Lock-out	Mechanical Lock-out
Oil(R), Coil/MCU(L)	Coil/MCU
50, 60 mm	50, 60 mm
Disc or Disc & V-brake	Disc or Disc & V-brake
2.08	1.85



*C:Compression, RL:Remote Lock-out, ML: Mechanical Lock-out, L:Lock-out, P:Preload

NEW!

NEON PLS

rast



NEON PLS

MODEL	RL	TNL	ML	T
STEERER	28.6/25.4 mm Steel			
CROWN PITCH	112mm			
CROWN	Aluminum ED Black			
STANCHION	28.6mm Steel CP Finish			
CASTING	Aluminum 10mm Open Dropout			
ADJUSTMENT	RL, C, P	L, C, P	L, P	P
FEATURES	Hydraulic Remote Lock-out	Hydraulic Lock-out	Mechanical Lock-out	-
SYSTEM	Oil(R), Coil(L)	Oil(R), Coil(L)	Coil	Coil
TRAVEL(mm)	50, 60 mm	50, 60 mm	50, 60 mm	50, 60 mm
BRAKE TYPE	Disc or Disc & V-brake	Disc or Disc & V-brake	Disc or Disc & V-brake	Disc or Disc & V-brake
WEIGHT(kgs) (w/200mm steerer)	2.26	2.21	1.98	2.18

Suitable for : E-BIKE and Pedelec

*C:Compression, RL:Remote Lock-out, ML: Mechanical Lock-out, L:Lock-out, P:Preload

NEON ICS



NEON ICS

MODEL	RL	TNL	ML	T
STEERER	28.6/25.4 mm Steel			
CROWN PITCH	112mm			
CROWN	Aluminum ED Black			
STANCHION	25.4mm Steel CP Finish			
CASTING	Aluminum 10mm Open Dropout			
ADJUSTMENT	RL, C, P	L, C, P	L, P	P
FEATURES	Hydraulic Remote Lock-out	Hydraulic Lock-out	Mechanical Lock-out	-
SYSTEM	Oil(R), Coil(L)	Oil(R), Coil(L)	Coil	Coil
TRAVEL(mm)	700C: 50, 60 mm 26": 75 mm			
BRAKE TYPE	Disc & V-brake			
WEIGHT(kgs) (w/200mm steerer)	2.18	2.13	1.93	2.13

*C:Compression, RL:Remote Lock-out, ML: Mechanical Lock-out, L:Lock-out, P:Preload



NEON



NEON

MODEL	RL	TNL	ML	T
STEERER	28.6/25.4 mm Steel			
CROWN PITCH	112mm			
CROWN	Aluminum ED Black			
STANCHION	25.4mm Steel CP Finish			
CASTING	Aluminum 10mm Open Dropout			
ADJUSTMENT	RL, C, P	L, C, P	L, P	P
FEATURES	Hydraulic Remote Lock-out	Hydraulic Lock-out	Mechanical Lock-out	-
SYSTEM	Oil(R), Coil(L)	Oil(R), Coil(L)	Coil(L)	Coil(L)
TRAVEL(mm)	700C: 50, 60 mm 26": 75 mm			
BRAKE TYPE	Disc & V-brake			
WEIGHT(kgs) (w/200mm steerer)	2.18	2.13	1.93	2.13

*C:Compression, RL:Remote Lock-out, ML: Mechanical Lock-out, L:Lock-out, P:Preload





ORION MODEL

STEERER
CROWN PITCH
CROWN
STANCHION
CASTING
ADJUSTMENT
FEATURES
SYSTEM
TRAVEL(mm)
BRAKE TYPE
WEIGHT(kgs) (w/200mm steerer)
Suitable for : Pedelec only

*A:Air, C:Compression, RL:Remote Lock-out, L:Lock-outr

WISH MODEL

RL

STEERER	28.6/25.4 mm Steel
CROWN PITCH	112mm
CROWN	Aluminum ED Black
STANCHION	28.6mm Steel Ti Color
CASTING	Magnesium 10mm Open Dropout
ASJUSTMENT	RL, C, P
FEATURES	Hydraulic Remote Lock-out
SYSTEM	Oil(R), Coil/MCU(L)
TRAVEL(mm)	50, 60 mm
BRAKE TYPE	Disc & V-brake
WEIGHT(kgs) (w/200mm steerer)	2.15

Suitable for : Pedelec only





Air-SRL	Air
28.6mm 7050 Aluminum	28.6mm 7050 Aluminum
112mm	112mm
Aluminum Black Coating	Aluminum Black Coating
28.6mm 7050Aluminum Hard Anodize	28.6mm 7050Aluminum Hard Anodize
Magnesium 10mm Open Dropout	Magnesium 10mm Open Dropout
A, RL, C	A, L, C
Hydraulic Remote Lock-out, Air spring	Hydraulic Lock-out, Air spring
Oil(R), Air(L)	Oil(R), Air(L)
50, 60 mm	50, 60 mm
Disc & V-brake	Disc & V-brake
1.71	1.66



TNL	ML
28.6/25.4 mm Steel	28.6/25.4 mm Steel
112mm	112mm
Aluminum ED Black	Aluminum ED Black
28.6mm Steel Ti Color	28.6mm Steel Ti Color
Magnesium 10mm Open Dropout	Magnesium 10mm Open Dropout
L, C, P	L, P
Hydraulic Lock-out	Mechanical Lock-out
Oil(R), Coil/MCU(L)	Coil/MCU
50, 60 mm	50, 60 mm
Disc & V-brake	Disc & V-brake
2.10	1.85



*C:Compression, RL:Remote Lock-out, ML: Mechanical Lock-out, L:Lock-out, P:Preload



NEW!

SOFI PLS



SOFI PLS

MODEL	RL
STEERER	28.6/25.4 mm Steel
CROWN PITCH	112mm
CROWN	Aluminum ED Black
STANCHION	28.6mm Steel CP Finish
CASTING	Aluminum 10mm Open Dropout
ADJUSTMENT	RL, C, P
FEATURES	Hydraulic Remote Lock-out
SYSTEM	Oil(R), Coil(L)
TRAVEL(mm)	40, 50 mm
BRAKE TYPE	V-brake only
WEIGHT(kgs) (w/200mm steerer)	2.30

Suitable for : E-BIKE and Pedelec



SOFI ICS

SOFI ICS

MODEL	RL	TNL	ML	T
STEERER		28.6/25.4 mm Steel		
CROWN PITCH		112mm		
CROWN		Aluminum ED Black		
STANCHION		25.4mm Steel CP Finish		
CASTING		Aluminum 10mm Open Dropout		
ADJUSTMENT	RL, C, P	L, C, P	L, P	P
FEATURES	Hydraulic Remote Lock-out	Hydraulic Lock-out	Mechanical Lock-Out	-
SYSTEM	Oil(R), Coil(L)	Oil(R), Coil(L)	Coil	Coil
TRAVEL(mm)		700C: 40, 50 mm 26": 50 mm		
BRAKE TYPE		V-brake only		
WEIGHT(kgs) (w/200mm steerer)	2.30	2.25	2.00	2.20

Suitable for : Pedelec only



*C:Compression, RL:Remote Lock-out, ML: Mechanical Lock-out, L:Lock-out, P:Preload



TNL	ML	T
28.6/25.4 mm Steel	28.6/25.4 mm Steel	28.6/25.4 mm Steel
112mm	112mm	112mm
Aluminum ED Black	Aluminum ED Black	Aluminum ED Black
28.6mm Steel CP Finish	28.6mm Steel CP Finish	28.6mm Steel CP Finish
Aluminum 10mm Open Dropout	Aluminum 10mm Open Dropout	Aluminum 10mm Open Dropout
L, C, P	L, P	P
Hydraulic Lock-out	Mechanical Lock-Out	-
Oil(R), Coil(L)	Coil	Coil
40, 50 mm	40, 50 mm	40, 50 mm
V-brake only	V-brake only	V-brake only
2.25	2.00	2.20

SOFI



MODEL	RL	TNL	ML	T
STEERER		28.6/25.4 mm Steel		
CROWN PITCH		112mm		
CROWN		Aluminum ED Black		
STANCHION		25.4mm Steel CP Finish		
CASTING		Aluminum 10mm Open Dropout		
ADJUSTMENT	RL, C, P	L, C, P	L, P	P
FEATURES	Hydraulic Remote Lock-out	Hydraulic Lock-out	Mechanical Lock-Out	-
SYSTEM	Oil(R), Coil(L)	Oil(R), Coil(L)	Coil	Coil
TRAVEL(mm)		700C: 50, 60 mm 26": 50 mm		
BRAKE TYPE		V-brake only		
WEIGHT(kgs) (w/200mm steerer)	2.30	2.25	2.00	2.20

Suitable for : E-BIKE and Pedelec



*C:Compression, RL:Remote Lock-out, ML: Mechanical Lock-out, L:Lock-out, P:Preload

SINGLE SHOCK



MODEL	SS-M7-T	SS-M7	SS-M6-T	SS-M6
WHEEL SIZE	700C	700C	26"	26"
TRAVEL(mm)	30mm	35mm	30mm	35mm
FEATURES	Mag. Blade Spring Preload	Mag. Blade	Mag. Blade Spring Preload	Mag. Blade
STEERER	28.6 mm 7050 Aluminum (Min. length: 200mm)			
LOWER	Magnesium 10mm open dropout			
BRAKE TYPE	Disc + V-brake(Optional Roller Mount)			
WEIGHT(kgs) (w/ 200mm steerer)	1.2	1.2	1.15	1.15

SS A7/A6 Suitable for : Pedelec only

MODEL	SS-M4-T	SS-M4	SS-M2-100	SS-M2-75	SS-M2-100S	SS-M2-75S
WHEEL SIZE	24"	24"	20"	20"	20"	20"
TRAVEL(mm)	30mm	30mm	30mm	30mm	30mm	30mm
FEATURES	Mag. Blade Spring Preload	Mag. Blade	Mag. Blade (straight) Dropout pitch 100mm	Mag. Blade (curve) Dropout pitch 75mm	Mag. Blade (straight) Dropout pitch 100mm	Mag. Blade (curve) Dropout pitch 75mm
STEERER	28.6 mm 7050 Aluminum (Min. length: 200mm)				28.6 mm 7050 Aluminum W(Length: 120~199mm)	
LOWER	Magnesium 10mm open dropout					
BRAKE TYPE	Disc + V-brake			V-brake only	Disc + V-brake	V-brake only
WEIGHT(kgs) (w/ 200mm steerer)	1.03	1.03	0.95	0.95	0.95	0.95

RIGID FORK



RF-M2-75

RF-M2-100

RF-M6

RF-M7

SS-A7-T	SS-A7	SS-A6-T	SS-A6
700C	700C	26"	26"
30mm	35mm	30mm	35mm
Alu. Blade Spring Preload	Alu. Blade	Alu. Blade Spring Preload	Alu. Blade
28.6 mm 7050 Aluminum (Min. length: 200mm)			
Aluminum 10mm open dropout			
Disc only or Disc + V-brake(Optional Roller Mount)			
1.55	1.55	1.5	1.5

MODEL	RF-M7	RF-M6	RF-M4	RF-M2-100	RF-M2-75
WHEEL SIZE	700C	26"	24"	20"	20"
TRAVEL(mm)	N/A	N/A	N/A	N/A	N/A
FEATURES	Mag. Blade	Mag. Blade	Mag. Blade	Mag. Blade (straight) Dropout pitch 100mm	Mag. Blade (curve) Dropout pitch 75mm
STEERER	28.6 mm 7050 Aluminum				
LOWER	Magnesium 10mm open dropout				
BRAKE TYPE	Disc + V-brake(Optional Roller Mount)		Disc + V-brake	Disc + V-brake	Disc + V-brake
WEIGHT(kgs) (w/ 200mm steerer)	0.83	0.75	0.85	0.57	0.54



URBAN

best



URBAN

MODEL	RL	TNL	ML	T
STEERER	28.6/25.4 mm Steel	28.6/25.4 mm Steel	28.6/25.4 mm Steel	28.6/25.4 mm Steel
CROWN PITCH	112mm	112mm	112mm	112mm
CROWN	Aluminum ED Black	Aluminum ED Black	Aluminum ED Black	Aluminum ED Black
STANCHION	25.4mm Steel CP Finis	25.4mm Steel CP Finis	25.4mm Steel CP Finis	25.4mm Steel CP Finis
CASTING	Aluminum 10mm open dropout	Aluminum 10mm open dropout	Aluminum 10mm open dropout	Aluminum 10mm open dropout
ADJUSTMENT	RL, C, P	L, C, P	L, P	P
FEATURES	Hydraulic Remote Lock-out	Hydraulic Lock-out	Mechanical Lock-out	-
SYSTEM	Oil(R), Coil(L)	Oil(R), Coil(L)	Coil	Coil
TRAVEL(mm)	40 mm	40 mm	40 mm	40 mm
BRAKE TYPE	Roller & Disc only	Roller & Disc only	Roller & Disc only	Roller & Disc only
WEIGHT(kgs) (w/200mm steerer)	2.15	2.10	1.83	2.30

Suitable for : E-BIKE and Pedelec

*C:Compression, RL:Remote Lock-out, ML: Mechanical Lock-out, L:Lock-out, P:Preload

RST 191



MODEL	ML	T-D	T-V	C-D	C-V
STEERER			28.6/25.4 mm Steel		
CROWN PITCH			125mm		
CROWN			Aluminum ED Black		
STANCHION			28.6 mm Steel CP Finish		
CASTING			Steel		
ADJUSTMENT	L, P	P	P	-	-
FEATURES	Mechanical Lock-Out	Spring Preload	Spring Preload	-	-
SYSTEM	Coil	Coil	Coil	Coil	Coil
TRAVEL(mm)	26": 80 mm	26"/24"/20": 80/50/30 mm		26"/24"/20": 80/45/30 mm	
BRAKE TYPE		Disc & V-brake	V-brake only	Disc & V-brake	V-brake only
WEIGHT(kgs) (w/200mm steerer)	2.35	2.35	2.35	2.35	2.35



RST 777



MODEL	T	C
STEERER	28.6/25.4 mm Steel	28.6/25.4 mm Steel
CROWN PITCH	112mm	112mm
CROWN	Aluminum ED Black	Aluminum ED Black
STANCHION	25.4 mm Steel CP Finish	25.4 mm Steel CP Finish
CASTING	Steel 10mm open dropout	Steel 10mm open dropout
ADJUSTMENT	P	-
FEATURES	Spring Preload	-
SYSTEM	Coil	Coil
TRAVEL(mm)	50 mm	50 mm
BRAKE TYPE	V-brake only	V-brake only
WEIGHT(kgs) (w/200mm steerer)	2.30	2.30



RST 790



MODEL	T	C
STEERER	28.6/25.4 mm Steel	28.6/25.4 mm Steel
CROWN PITCH	107mm	107mm
CROWN	Aluminum ED Black	Aluminum ED Black
STANCHION	25.4 mm Steel CP Finish	25.4 mm Steel CP Finish
CASTING	Steel 10mm open dropout	Steel 10mm open dropout
ADJUSTMENT	P	-
FEATURES	Spring Preload	-
SYSTEM	Coil	Coil
TRAVEL(mm)	700C/ 26"/24: 50/50/40 mm	700C/ 26"/24: 50/50/40 mm
BRAKE TYPE	V-brake (Optional Roller Brake)	V-brake (Optional Roller Brake)
WEIGHT(kgs) (w/200mm steerer)	2.00	2.00



NEW!

ELEMENT

RAPID SUSPENSION TECHNOLOGY **RST**

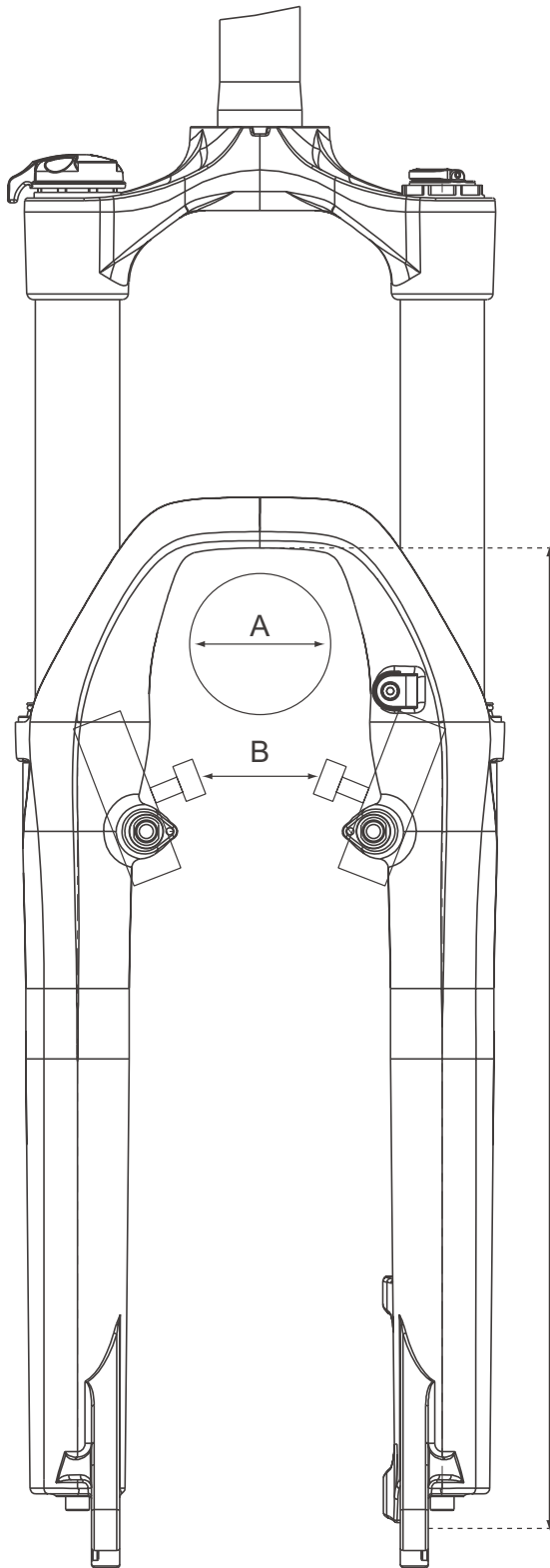
REFER TO THE INSTRUCTION BEFORE OPERATION



MODEL	PLATFORM	LO
Body/Finish	Alloy, Hard Anodized in Black	
Spring System	Air Spring	
Damping System	Platform Damping	Hydraulic Damping
Eye To Eye / Travel(mm)	150x25, 165x35, 190x45, 200x50	
Bolt Diameter	8mm or 6mm	
WEIGHT	215g(150mm) / 225g(165mm) 245g(190mm) / 255g(200mm)	

DIMENSION

unit: mm



MODEL NAME	WIDTH A	WIDTH B	WIDTH C	MAXIMUM ROTOR SIZE
SIGMA	<75			203
R 1	<69		350	203
STORM	<69		350	203
SPACE	<69		350	203
SLOPE	<57	58	350	180
TITAN 15	<67		350	180
TITAN	<67	58	350	180
F1RST 32-15	<67		350	180
F1RST 32	<55	58	349	180
SATURN	<57	58	350	180
F1RST 30-15	<55		350	180
F1RST 30	<55	58	350	180
F1RST 24	<55	54	317	180
F1RST 29	<69		380	180
VOGUE	<55	54	377	180
ORION	<55	54	377	180
OMEGA 29	<69		380	180
OMEGA	<55	58	350	180
DIRT	<56	58	351	180
BLAZE 29	<56	63	380	180
BLAZE	<59	63	350	180
GILA	<58	60	355	180
CAPA 26/24/20	<58	54	352/322/289	160
VITA	<58	56	376	180
NEON-PLS	<57	54	378	180
NEON-ICS 700/26	<57	54	382/360	180
NEON 700/26	<57	54	382/360	180
WISH	<57	45	377	180
SOFI-PLS	<57	54	378	
SOFI-ICS 700/26	<55	50	375/355	
SOFI 700/26	<55	50	375/355	
URBAN	<65	45	376	160
191 26/24/20	<45	64	353/325/273	160
777	<56	63	371	N/A
790 700/26/24	<55	54	371/356/329	N/A
SS-M7	<45	45	380	160
RF-M7	<45	45	380	160
SS-A7	<45	45	365	160
SS-M6	<50	45	345	160
RF-M6	<50	45	345	160
SS-A6	<50	45	345	160
SS-M4	<45	45	318	160
RF-M4	<45	45	318	160
SS-A4				
M2-100	<32	44	265	160
M2-75	<32	38	265	

ACCESSORIES & TOOLS

FRONT LAMP BRACKET

COMPATIBLE FOR FRONT LAMP

Front Lamp Bracket for Single shock



Front Lamp Bracket on fork arch



Front Lamp Bracket for ICS crown



QR

ADAPTOR FOR QUICK RELEASE

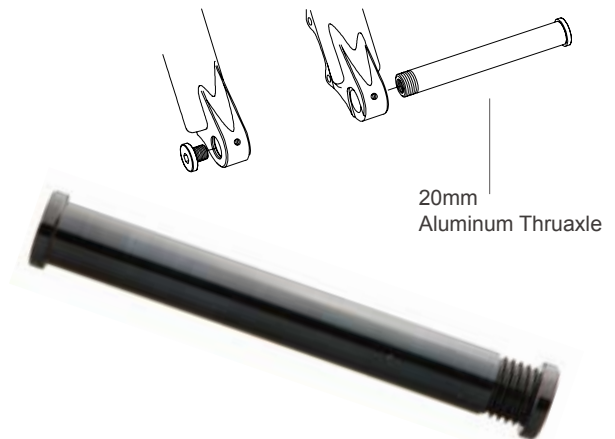
Available for Storm, Space



TA

20MM ALUMINUM THROUGH AXLE

Available for R1, Storm, Space



15 QR

15mm ALUMINUM QUICK RELEASE AXLE

Available for Titan 15



CG

CABLE GUIDE FOR HUB DYNAMO



Grease

LUBRICATION KIT 50g



TOOLS

BAGPIPE AIR-SYSTEM PUMP

BAGPIPE for RST Air-System
PFGP - 2200 - 200



RST SPECIAL WRENCH

for disassemble Pre-load adjuster. (three sizes)
M5GAC616



SRL

SMART REMOTE LOCK-OUT UPGRADE KIT

#H5GDPBARL2011



2012 PRODUCT SPECIFICATION

Bike Category	Down hill				Free ride				Dirt Jump			
	SIGMA		R1		STORM		SPACE		SLOPE		DIRT	
Model	Platform	Super	Pro	Platform & Air Adj TA or QR	Air TA or QR	Super TA or QR	Jump TA or QR	Free TA or QR	SLOPE	RA	DIRT	
Steerer	28.6mm 7050 Aluminum	28.6mm 7050 Aluminum	28.6mm 7050 Aluminum	28.6mm 7050 Aluminum	28.6mm 7050 Aluminum	28.6mm Cr-mo steel	28.6mm 7050 Aluminum	28.6mm Cr-mo steel	"28.6mm Cr-mo steel"	28.6mm Steel	28.6mm Steel	
1.5" Steerer (Straight or Taper)	—	—	—	Option	Option	Option	—	—	—	—	—	
Crown	148mm-Dual Aluminum, Satin Black	138mm-Dual Aluminum, Satin Black	138mm-Dual Aluminum, Satin Black	138mm Aluminum, Black Coating	138mm Aluminum, Black Coating	138mm Aluminum, Black Coating	138mm Aluminum, Black Coating	138mm Aluminum, Black Coating	130mm Aluminum, Black Coating	130mm Aluminum, ED Black	130mm Aluminum, ED Black	
ics crown	—	—	—	—	—	—	—	—	—	—	—	
Stanchion	36mm 7050 Aluminum Hard Anodize	36mm 7050 Aluminum Hard Anodize	36mm 7050 Aluminum Hard Anodize	36mm 7050 Aluminum Hard Anodize	36mm 7050 Aluminum Hard Anodize	36mm Cr-mo steel Ti color	36mm 7050 Aluminum Anodize	36mm Cr-mo steel Ti color	32mm Steel	32 mm steel CP	32 mm steel CP	
Lower	CNC machined Aluminum 20mm Thru-Axle	Magnesium 20mm Thru-Axle	Magnesium 20mm Thru-Axle	Magnesium 20mm Convertible	Magnesium 20mm Convertible	Magnesium 20mm Convertible	Magnesium 20mm Convertible	Magnesium 20mm Convertible	9mm open dropout	Aluminum 9mm open dropout	Aluminum 9mm open dropout	
Feature	Hydraulic Compression and Rebound-adjust	Hydraulic Compression and Rebound adjust	Hydraulic Rebound-adjust	Platform High/Low speed Compression, Rebound Adjust, w/ 4 step Air chamber	Hydraulic Compression and Rebound adjust, Air Spring	Hydraulic Rebound-adjust	Hydraulic Rebound-adjust, Air spring	Hydraulic Rebound-adjust	Hydraulic Rebound-adjust	Hydraulic Rebound-adjust	—	
Damper	Hydraulic Cartridge	OCR2	Hydraulic Cartridge	OCR Platform	OCR2	Hydraulic Cartridge	Hydraulic Cartridge	Hydraulic Cartridge	Hydraulic Cartridge	"Hydraulic Cartridge"	—	
Spring	Coil	Coil/MCU	Coil/MCU	4 Step Air	Air	Coil/MCU	Air	Coil/MCU	Coil/MCU	Coil/MCU	Coil/MCU	
Adjustment	C, R	R, C	R	4A,R,C,F	A, R, C	R	A,R	R	R, P	R, P	P	
Travel	8" (203mm)	180 mm	180 mm	140, 160, 180 mm,	140, 160, 180 mm,	80, 100 mm	80, 100 mm	80, 100 mm	80, 100, 130mm	80, 100, 130 mm*	80, 100, 130 mm*	
Fork height (mm)	589	555	555	520 / 540 / 560	520 / 540 / 560	465 / 485	465 / 485	465 / 485	460 / 480 / 510	460 / 480 / 510	460 / 480 / 510	
Seal/Boot	spring seal	spring seal	spring seal	spring seal	spring seal	spring seal	spring seal	spring seal	spring seal	spring seal	spring seal	
Brake Type	Disc only	Disc only	Disc only	Disc only	Disc only	Disc only	Disc only	Disc only	Disc or D+V	Disc or D+V	Disc or D+V	
Disc Brake Mount	IS	Post	Post	Post	Post	IS	IS	IS	Post	Post	Post	
Recommended Max. Rotor Size in mm	203	203	203	203	203	203	203	203	180	180	180	
Dynamo Bracket Mount	—	—	—	—	—	—	—	—	—	—	—	
Cable Guide for Hub Dynamo	—	—	—	—	—	—	—	—	—	—	—	
Roller Brake Mount	—	—	—	—	—	—	—	—	—	—	—	
Weight (kgs) (w/steerer at 200mm)	3.60	3.28	3.40	2.30	2.30	2.80	2.50	2.80	2.60	2.86	2.83	
Wheel size	26"	26"	26"	26"	26"	26"	26"	26"	26"	26"	26"	
Origin of Production	Taiwan	Taiwan	Taiwan	Taiwan	Taiwan	Taiwan	Taiwan	Taiwan	Taiwan	Taiwan	China	
2011 VS 2010	—	New	—	New	—	—	—	—	—	—	—	
Remarks	—	New Hydraulic Platform System Available.	—	New Hydraulic Platform and 4 Step Air Chamber System Available.	—	—	—	—	New lower	—	*130mm travel only available with special reinforced steerer tube*	

*4A, 4 Step Air-adjust A: Air, C: Compression, F: Flow, Gate L: Lockout, P: Preload, RL: Remote Lockout, R: Rebound

*Above measurements are just for reference only. Please check the actual dimension for appropriate setting.

2012 PRODUCT SPECIFICATION

All Mountain

XC

Model	TITAN 15			TITAN			FIRST 32-15			FIRST 32		
	Platform & Air Adj	Air-SRL	Air	Platform & Air Adj	Air-SRL	Air	Platform & Air adjust	Air-SRL	Air	Platform & Air Adj	Air-SRL	Air
Steerer	28.6mm 7050 Aluminum	28.6mm 7050 Aluminum	28.6mm 7050 Aluminum	28.6mm 7050 Aluminum	28.6mm 7050 Aluminum	28.6mm 7050 Aluminum	28.6mm 7050 Aluminum	28.6mm 7050 Aluminum	28.6mm 7050 Aluminum	28.6mm 7050 Aluminum	28.6mm 7050 Aluminum	28.6mm 7050 Aluminum
1.5" Steerer (Straight or Taper)	Option	Option	Option	Option	Option	Option	Option	Option	Option	Option	Option	Option
Crown	130mm Aluminum, Black Coating	130mm Aluminum, Black Coating	130mm Aluminum, Black Coating	130mm Aluminum, Black Coating	130mm Aluminum, Black Coating	130mm Aluminum, Black Coating	130mm Aluminum, Black Coating	130mm Aluminum, Black Coating	130mm Aluminum, Black Coating	130mm Aluminum, Black Coating	130mm Aluminum, Black Coating	130mm Aluminum, Black Coating
ics crown	—	—	—	—	—	—	—	—	—	—	—	—
Stanchion	32mm 7050 Aluminum Hard Anodize	32mm 7050 Aluminum Hard Anodize	32mm 7050 Aluminum Hard Anodize	32mm 7050 Aluminum Hard Anodize	32mm 7050 Aluminum Hard Anodize	32mm 7050 Aluminum Hard Anodize	32mm 7050 Aluminum Hard Anodize	32mm 7050 Aluminum Hard Anodize	32mm 7050 Aluminum Hard Anodize	32mm 7050 Aluminum Hard Anodize	32mm 7050 Aluminum Hard Anodize	32mm 7050 Aluminum Hard Anodize
Lower	Magnesium 15mm QR	Magnesium 15mm QR	Magnesium 15mm QR	Magnesium 9mm open dropout	Magnesium 9mm open dropout	Magnesium 9mm open dropout	Magnesium 15mm QR	Magnesium 15mm QR	Magnesium 15mm QR	Magnesium 9mm open dropout	Magnesium 9mm open dropout	Magnesium 9mm open dropout
Feature	Platform High/Low speed Compression, Rebound Adjust,w/ 4 step Air chamber	Hydraulic Rebound-adjust Remote Lock-out, Air spring	Hydraulic Rebound- adjust Lock-out, Air spring	Platform High/Low speed Compression, Rebound Adjust,w/ 4 step Air chamber	Hydraulic Rebound-adjust Remote Lock-out, Air spring	Hydraulic Rebound- adjust Lock-out, Air spring	Platform High/Low speed Compression, Rebound Adjust,w/ 4 step Air chamber	Hydraulic Rebound-adjust Remote Lock-out, Air spring	Hydraulic Rebound- adjust Lock-out, Air spring	Platform High/Low speed Compression, Rebound Adjust,w/ 4 step Air chamber	Hydraulic Rebound-adjust Remote Lock-out, Air spring	Hydraulic Rebound- adjust Lock-out, Air spring
Damper	OCR Platform	OCR	OCR	OCR Platform	OCR	OCR	OCR Platform	OCR	OCR	OCR Platform	OCR	OCR
Spring	4 step Air	Air	Air	4 step Air	Air	Air	4 step Air	Air	Air	4 step Air	Air	Air
Adjustment	4A,R,C,F	A, R, RL, C	A, R, L, C	4A,R,C,F	A, R, RL, C	A, R, L, C	4A, R, C, F	A, R, RL, C	A, R, L, C	4A, R, C, F	A, R, RL, C	A, R, L, C
Travel	120, 140, 150 mm	500 / 520 / 530	500 / 520 / 530	120, 140mm	500 / 520	500 / 520	80, 100, 120mm	460 / 480 / 500	80, 100, 120mm	80, 100, 120mm	460 / 480 / 500	80, 100, 120mm
Fork height (mm)	spring seal	Disc only	Disc only	spring seal	Disc or D+V	Disc or D+V	spring seal	Disc only	Disc only	spring seal	Disc or D+V	Disc or D+V
Seal/Boot	Post	Post	Post	Post	Post	Post	Post	Post	Post	Post	Post	Post
Brake Type	180 up	180 up	180 up	180	180	180	180 up	180 up	180 up	180 up	180	180
Disc Brake Mount	—	—	—	—	—	—	—	—	—	—	—	—
Recommended Max. Rotor Size in mm	—	—	—	—	—	—	—	—	—	—	—	—
Dynamo Bracket Mount	—	—	—	—	—	—	—	—	—	—	—	—
Cable Guide for Hub Dynamo	—	—	—	—	—	—	—	—	—	—	—	—
Roller Brake Mount	—	—	—	—	—	—	—	—	—	—	—	—
Weight (kgs) (w/steerer at 200mm)	2.17	2.17	2.12	1.86	1.86	1.81	2.17	2.17	2.12	1.85	1.85	1.80
Wheel size	26"	26"	26"	26"	26"	26"	26"	26"	26"	26"	26"	26"
Origin of Production	Taiwan	Taiwan	Taiwan	Taiwan	Taiwan	Taiwan	Taiwan	Taiwan	Taiwan	Taiwan	Taiwan	Taiwan
2011 VS 2010	New	—	—	New	Titan 140	Titan 140	New	Titan 15	Titan 15	New	Titan 15	Titan 15
Remarks	New Hydraulic Platform and 4 Step Air Chamber System Available.	New Hydraulic Platform and 4 Step Air Chamber System Available.	New Hydraulic Platform and 4 Step Air Chamber System Available.	New Hydraulic Platform and 4 Step Air Chamber System Available.	New Hydraulic Platform and 4 Step Air Chamber System Available.	New Hydraulic Platform and 4 Step Air Chamber System Available.	New Hydraulic Platform and 4 Step Air Chamber System Available.	New Hydraulic Platform and 4 Step Air Chamber System Available.	New Hydraulic Platform and 4 Step Air Chamber System Available.	New Hydraulic Platform and 4 Step Air Chamber System Available.	New Hydraulic Platform and 4 Step Air Chamber System Available.	New Hydraulic Platform and 4 Step Air Chamber System Available.

*4A,4 Step Air-adjust A:Air, C:Compression F:Flow-Gate L:Lockout P:Preload RL:Remote Lockout R:Rebound
*Above measurements are just for reference only. Please check the actual dimension for appropriate setting.

Bike Category	SATURN				F1RST 30-15				F1RST 30				F1RST 24		
	3-RL	3	2-RL	2	Wireless	Air-SRL	Air	Wireless	Platinum-SRL	Platinum	Air-SRL	Air	Air-SRL	Air	F1RST 24
Model															
Steerer	28.6mm Steel (alloy option)	28.6mm Steel (alloy option)	28.6mm Steel (alloy option)	"28.6mm Steel (alloy option)"	28.6mm 7050 Aluminum	28.6mm 7050 Aluminum	28.6mm 7050 Aluminum	28.6mm 7050 Aluminum	28.6mm 7050 Aluminum	28.6mm 7050 Aluminum	28.6mm 7050 Aluminum	28.6mm 7050 Aluminum	28.6mm 7050 Aluminum	28.6mm 7050 Aluminum	28.6mm 7050 Aluminum
1.5" Steerer (Straight or Taper)	Option	Option	Option	Option	Option	Option	Option	Option	Option	Option	Option	Option	Option	Option	---
Crown	130mm Aluminum, Black Coating	130mm Aluminum, Black Coating	130mm Aluminum, Black Coating	130mm Aluminum, Black Coating	130mm Aluminum, Black Coating	130mm Aluminum, Black Coating	130mm Aluminum, Black Coating	130mm Aluminum, Black Coating	130mm Aluminum, Black Coating	130mm Aluminum, Black Coating	130mm Aluminum, Black Coating	130mm Aluminum, Black Coating	125mm Aluminum, Black Coating	125mm Aluminum, Black Coating	125mm Aluminum, Black Coating
ics crown	---	---	---	---	---	---	---	---	---	---	---	---	---	---	---
Stanchion	32mm Steel	32mm Steel	32mm Steel	32mm Steel	30mm 7050 Aluminum	30mm 7050 Aluminum	30mm 7050 Aluminum	30mm 7050 Aluminum	30mm 7050 Aluminum	30mm 7050 Aluminum	30mm 7050 Aluminum	30mm 7050 Aluminum	28.6mm 7050 Aluminum	28.6mm 7050 Aluminum	28.6mm 7050 Aluminum
Lower	Magnesium 9mm open dropout	Magnesium 9mm open dropout	Magnesium 9mm open dropout	Magnesium 9mm open dropout	Magnesium 15mm QR	Magnesium 15mm QR	Magnesium 15mm QR	Magnesium 15mm QR	Magnesium 9mm open dropout	Magnesium 9mm open dropout	Magnesium 9mm open dropout	Magnesium 9mm open dropout	Magnesium 9mm open dropout	Magnesium 9mm open dropout	Magnesium 9mm open dropout
Feature	Hydraulic Rebound-adjust Remote Lock-out	Hydraulic Rebound-adjust Lock-out	Hydraulic Remote Lock-out	Hydraulic Lock-out	Hydraulic Rebound-adjust Electric Remote Lock-out, Air spring	Hydraulic Rebound-adjust Electric Remote Lock-out, Air spring	Hydraulic Rebound-adjust Electric Remote Lock-out, Air spring	Hydraulic Rebound-adjust Electric Remote Lock-out, Air spring	Hydraulic Rebound-adjust Remote Lock-out, Air spring	Hydraulic Rebound-adjust Remote Lock-out, Air spring	Hydraulic Rebound-adjust Remote Lock-out, Air spring	Hydraulic Rebound-adjust Remote Lock-out, Air spring	Hydraulic Rebound-adjust Remote Lock-out, Air spring	Hydraulic Rebound-adjust Remote Lock-out, Air spring	Hydraulic Rebound-adjust Remote Lock-out, Air spring
Damper	OCR3 Hydraulic Cartridge	OCR3 Hydraulic Cartridge	Hydraulic Cartridge	Hydraulic Cartridge	e-OCR	e-OCR	e-OCR	OCR2	OCR2	OCR2	OCR	OCR	OCR	OCR	OCR
Spring	Coil/MCU	Coil/MCU	Coil/MCU	Coil/MCU	Air	Air	Air	Air	Air	Air	Air	Air	Air	Air	Air
Adjustment	P,R,RL,C (easy preload)	P,R,L,C (easy preload)	P,RL (easy preload)	PL (easy preload)	A, R, RL, C	A, R, RL, C	A, R, L, C	A, R, RL, C	A, R, L, C	A, R, L, C	A, R, L, C	A, R, L, C	A, R, RL, C	A, R, RL, C	A, R, L, C
Travel	80, 100, 120, mm	80, 100, 120, mm	80, 100, 120, mm	80, 100, 120, mm	80, 100, 120 mm	80, 100, 120 mm	80, 100, 120 mm	80, 100 mm	80, 100 mm	80, 100 mm	80, 100 mm	80, 100 mm	60mm	60mm	60mm
Fork height (mm)	460 / 480 / 500	460 / 480 / 500	460 / 480 / 500	460 / 480 / 500	460 / 480 / 500	460 / 480 / 500	460 / 480 / 500	460 / 480	460 / 480	460 / 480	460 / 480	460 / 480	410	410	410
Seal/Boot	spring seal	spring seal	spring seal	spring seal	spring seal	spring seal	spring seal	spring seal	spring seal	spring seal	spring seal	spring seal	spring seal	spring seal	spring seal
Brake Type	Disc or D+V	Disc or D+V	Disc or D+V	Disc or D+V	Disc only	Disc only	Disc only	Disc or D+V	Disc or D+V	Disc or D+V	Disc or D+V	Disc or D+V	D+V	D+V	D+V
Disc Brake Mount	Post	Post	Post	Post	Post	Post	Post	Post	Post	Post	Post	Post	Post	Post	Post
Recommended Max. Rotor Size in mm	180	180	180	180	180	180	180	180	180	180	180	180	180	180	180
Dynamo Bracket Mount	---	---	---	---	---	---	---	---	---	---	---	---	---	---	---
Cable Guide for Hub Dynamo	---	---	---	---	---	---	---	---	---	---	---	---	---	---	---
Roller Brake Mount	---	---	---	---	---	---	---	---	---	---	---	---	---	---	---
Weight (kgs) (w/steerer at 200mm)	2.53	2.48	2.53	2.48	2.00	1.95	1.75	1.50	1.45	1.70	1.75	1.70	1.65	1.60	1.60
Wheel size	26"	26"	26"	26"	26"	26"	26"	26"	26"	26"	26"	26"	24"	24"	24"
Origin of Production	Taiwan	Taiwan	Taiwan	Taiwan	Taiwan	Taiwan	Taiwan	Taiwan	Taiwan	Taiwan	Taiwan	Taiwan	Taiwan	Taiwan	Taiwan
2011 VS 2010	---	---	---	---	New	New	New	New	New	New	New	New	New	New	New
Remarks															

*A4.4 Step Air-adjust A: Air C: Compression F: Flow-Gate L: Lockout P: Preload RL: Remote Lockout R: Rebound

*Above measurements are just for reference only. Please check the actual dimension for appropriate setting.

2012 PRODUCT SPECIFICATION

XC

Sport

Bike Category	2012 PRODUCT SPECIFICATION												
	OMEGA			BLAZE			GILA			CAPA			
Model	RL	TNL	ML	RL	TNL	ML	T	RL	TNL	ML	T	ML, 26, 24	T26, T24, T20
Steerer (Straight or Taper)	28.6mm Steel	28.6mm Steel	28.6mm Steel	28.6mm Steel	28.6mm Steel	28.6mm Steel	28.6mm Steel	28.6mm Steel	28.6mm Steel	28.6mm Steel	28.6mm Steel	28.6/25.4mm Steel	28.6/25.4mm Steel
1.5" Steerer (Straight or Taper)	---	---	---	---	---	---	---	---	---	---	---	---	---
Crown	130mm Aluminum, ED Black	130mm Aluminum, ED Black	130mm Aluminum, ED Black	125mm Aluminum, ED Black	125mm Aluminum, ED Black	125mm Aluminum, ED Black	125mm Aluminum, ED Black	125mm Aluminum, ED Black	125mm Aluminum, ED Black	125mm Aluminum, ED Black	125mm Aluminum, ED Black	120mm Aluminum, ED Black	120mm Aluminum, ED Black
ics crown	---	---	---	---	---	---	---	---	---	---	---	---	---
Stanchion	30 Steel Ti color	30 Steel Ti color	30 Steel Ti color	30 Steel CP	30 Steel CP	30 Steel CP	30 Steel CP	28.6 steel CP	28.6 steel CP	28.6 steel CP	28.6 steel CP	25.4 steel CP	25.4 steel CP
Lower	Magnesium 9mm open dropout	Magnesium 9mm open dropout	Magnesium 9mm open dropout	Aluminum 9mm open dropout	Aluminum 9mm open dropout	Aluminum 9mm open dropout	Aluminum 9mm open dropout	Aluminum 9mm open dropout	Aluminum 9mm open dropout	Aluminum 9mm open dropout	Aluminum 9mm open dropout	Aluminum 9mm open dropout	Aluminum 9mm open dropout
Feature	Hydraulic Remote Lock- out	Hydraulic Lock-out	Mechanical Lock-out	Hydraulic Lock-out	Hydraulic Lock-out	Mechanical Lock-out	---	Hydraulic Remote Lock-out	Hydraulic Lock-out	Mechanical Lock-out	---	Mechanical Lock-out	---
Damper	Hydraulic Cartridge	Hydraulic Cartridge	---	Hydraulic Cartridge	Hydraulic Cartridge	---	---	Hydraulic Cartridge	Hydraulic Cartridge	---	---	---	---
Spring	Coil/MCU	Coil/MCU	Coil/MCU	Coil/MCU	Coil/MCU	Coil/MCU	Coil/MCU	Coil/MCU	Coil/MCU	Coil/MCU	Coil/MCU	Coil	Coil
Adjustment	RL,P (easy preload)	L, P (easy preload)	P (easy preload)	RL, P	L, P	L, P	P	RL, P	L, P	L, P	P	L, P	P
Travel	80, 100, 120 mm	80, 100, 120 mm	80, 100, 120 mm	80, 100, 120 mm	80, 100, 120 mm	80, 100, 120 mm	80, 100 mm	80, 100 mm	80, 100 mm	80, 100 mm	80, 100 mm	26"/24"; 80/50mm	26"/24"; 80/50/50mm
Fork height (mm)	460 / 480 / 500	460 / 480 / 500	460 / 480 / 500	460 / 480 / 500	460 / 480 / 500	460 / 480 / 500	460 / 480	460 / 480	460 / 480	460 / 480	460 / 480	26"/24"; 460 / 399	26"/24"; 460 / 399 / 373
Seal/Boot	spring seal	spring seal	spring seal	spring seal	spring seal	spring seal	spring seal	spring seal	spring seal	spring seal	spring seal	spring seal	spring seal
Brake Type	Disc or D+V	Disc or D+V	Disc or D+V	Disc or D+V	Disc or D+V	Disc or D+V	Disc or D+V	Disc or D+V	Disc or D+V	Disc or D+V	Disc or D+V	D+V	D+V
Disc Brake Mount	Post	Post	Post	Post	Post	Post	Post	Post	Post	Post	Post	IS	IS
Recommended Max. Rotor Size in mm	180	180	180	180	180	180	180	180	180	180	180	160	160
Dynamo Bracket Mount	---	---	---	---	---	---	---	---	---	---	---	---	---
Cable Guide for Hub Dynamo	---	---	---	---	---	---	---	---	---	---	---	---	---
Roller Brake Mount	---	---	---	---	---	---	---	---	---	---	---	---	---
Weight (kgs) (w/steerer at 200mm)	2.33	2.28	2.05	2.46	2.23	2.23	2.43	2.33	2.28	2.05	2.25	26"/24" 1,88/1,76	26"/24" 2,06/1,96/1,76
Wheel size	26"	26"	26"	26"	26"	26"	26"	26"	26"	26"	26"	26"/24"	Available for 26"/24"/20"
Origin of Production	China	China	China	China	China	China	China	China	China	China	China	China	China
2011 VS 2010	---	---	New	New Lower	New Lower	New Lower	---	---	---	---	---	---	---
Remarks	No T version,	ML as basic model,	---	---	---	---	---	---	---	---	---	---	---
*AA,4 Step Air-adjust A:Air C:Compression F:Flow-Gate L:Lockout P:Preload RL-Remote Lockout R:Rebound													
*Above measurements are just for reference only. Please check the actual dimension for appropriate setting.													

2012 PRODUCT SPECIFICATION

29er

Cross

Trekking

Bike Category	F1RST 29				OMEGA 29				BLAZE 29				VOGUE				ORION	
	Air-SRL	Air	RL	ML	TNL	ML	RL	ML	TNL	ML	T	Air-SRL	Air	Air-SRL	Air	Air-SRL	Air	
Model	28.6mm 7050 Aluminum	28.6mm 7050 Aluminum	28.6mm Steel (alloy option)	28.6mm Steel (alloy option)	28.6mm Steel (alloy option)	28.6mm Steel (alloy option)	28.6mm Steel (alloy option)	28.6mm Steel (alloy option)	28.6mm Steel (alloy option)	28.6mm Steel	28.6mm Steel	28.6mm 7050 Aluminum	28.6mm 7050 Aluminum	28.6mm 7050 Aluminum	28.6mm 7050 Aluminum	28.6mm 7050 Aluminum	28.6mm 7050 Aluminum	
Steerer (Straight or Taper)	Option	Option	---	---	---	---	---	---	---	---	---	---	---	---	---	---	---	
Crown	130mm Aluminum, Black Coating	130mm Aluminum, Black Coating	130mm Aluminum, ED Black	130mm Aluminum, ED Black	130mm Aluminum, ED Black	130mm Aluminum, ED Black	130mm Aluminum, ED Black	130mm Aluminum, ED Black	130mm Aluminum, ED Black	130mm Aluminum, ED Black	130mm Aluminum, ED Black	112mm Aluminum, Black Coating	112mm Aluminum, Black Coating	112mm Aluminum, Black Coating	112mm Aluminum, Black Coating	112mm Aluminum, Black Coating	112mm Aluminum, Black Coating	
ics crown	---	---	---	---	---	---	---	---	---	---	---	Option	Option	Option	Option	Option	Option	
Stanchion	32mm 7050 Aluminum Hard Anodize	32mm 7050 Aluminum Hard Anodize	32 steel	32 steel	32 steel	32 steel	32 steel	32 steel	32 steel	30 steel	30 steel	28.6mm 7050 Aluminum Hard Anodize	28.6mm 7050 Aluminum Hard Anodize	28.6mm 7050 Aluminum Hard Anodize	28.6mm 7050 Aluminum Hard Anodize	28.6mm 7050 Aluminum Hard Anodize	28.6mm 7050 Aluminum Hard Anodize	
Lower	Magnesium 9mm open dropout	Magnesium 9mm open dropout	Magnesium 9mm open dropout	Magnesium 9mm open dropout	Magnesium 9mm open dropout	Magnesium 9mm open dropout	Magnesium 9mm open dropout	Magnesium 9mm open dropout	Magnesium 9mm open dropout	Aluminum 9mm open dropout	Aluminum 9mm open dropout	Magnesium 10mm open dropout	Magnesium 10mm open dropout	Magnesium 10mm open dropout	Magnesium 10mm open dropout	Magnesium 10mm open dropout	Magnesium 10mm open dropout	
Feature	Hydraulic Rebound- adjust Lock-out, Air spring	Hydraulic Rebound- adjust Lock-out, Air spring	Hydraulic Lock-out	Hydraulic Lock-out	Hydraulic Lock-out	Mechanical Lock-out	Mechanical Lock-out	Hydraulic Lock-out	Hydraulic Lock-out	Mechanical Lock-out	---	Hydraulic Rebound- adjust Lock-out, Air spring	Hydraulic Rebound- adjust Lock-out, Air spring	Hydraulic Rebound- adjust Lock-out, Air spring	Hydraulic Rebound- adjust Lock-out, Air spring	Hydraulic Remote Lock-out, Air spring	Hydraulic Lock-out, Air spring	Hydraulic Lock-out, Air spring
Damper	OCR	OCR	---	---	---	---	---	---	---	---	---	OCR	OCR	OCR	OCR	OCR	OCR	OCR
Spring	Air	Air	Coil	Coil	Coil	Coil	Coil	Coil	Coil	Coil	Coil	Air	Air	Air	Air	Air	Air	Air
Adjustment	A, R, RL, C	A, R, L, C	L, P	L, P	L, P	L, P	L, P	L, P	L, P	L, P	P	A, R, RL, C	A, R, L, C	A, RL, C	A, RL, C	A, L, C	A, L, C	A, L, C
Travel	80, 100 mm	80, 100 mm	80, 100 mm	80, 100 mm	80, 100 mm	80, 100 mm	80, 100 mm	80, 100 mm	80, 100 mm	80, 100 mm	80, 100 mm	50, 60, 75 mm	50, 60, 75 mm	50, 60, 75 mm	50, 60, 75 mm	50, 60, 75 mm	50, 60, 75 mm	50, 60, 75 mm
Fork height (mm)	490 / 510	490 / 510	490 / 510	490 / 510	490 / 510	490 / 510	490 / 510	490 / 510	490 / 510	490 / 510	490 / 510	460 / 470 / 485	460 / 470 / 485	460 / 470 / 485	460 / 470 / 485	460 / 470 / 485	460 / 470 / 485	460 / 470 / 485
Seal/Boot	spring seal	spring seal	spring seal	spring seal	spring seal	spring seal	spring seal	spring seal	spring seal	spring seal	spring seal	spring seal	spring seal	spring seal	spring seal	spring seal	spring seal	spring seal
Brake Type	Disc only	Disc only	Disc only	Disc only	Disc only	Disc only	Disc only	Disc only	Disc only	Disc or D+V	Disc or D+V	Disc or D+V	Disc or D+V	Disc or D+V	Disc or D+V	Disc or D+V	Disc or D+V	Disc or D+V
Disc Brake Mount	Post	Post	Post	Post	Post	Post	Post	Post	Post	Post	Post	IS	IS	IS	IS	IS	IS	IS
Recommended Max. Rotor Size in mm	180	180	180	180	180	180	180	180	180	180	180	180	180	180	180	180	180	180
Dynamo Bracket Mount	---	---	---	---	---	---	---	---	---	---	---	---	---	---	---	---	---	---
Cable Guide for Hub Dynamo	---	---	---	---	---	---	---	---	---	---	---	---	---	---	---	---	---	---
Roller Brake Mount	---	---	---	---	---	---	---	---	---	---	---	---	---	---	---	---	---	---
Weight (kgs) (w/steerer at 200mm)	1.88	1.83	2.36	2.60	2.65	2.36	2.74	2.69	2.46	2.46	2.66	1.66	1.66	1.66	1.66	1.66	1.66	1.66
Wheel size	29"	29"	29"	29"	29"	29"	29"	29"	29"	29"	29"	700C only	700C only	700C only	700C only	700C only	700C only	700C only
Origin of Production	Taiwan	Taiwan	China	China	China	China	China	China	China	China	Taiwan	Taiwan	Taiwan	Taiwan	Taiwan	Taiwan	Taiwan	Taiwan
2011 VS 2010	New	New	New	New	New	New	New	New	New	New	New	---	---	---	---	---	---	---
Remarks	New Casting	New Casting	New Casting	New Casting	New Casting	New Casting	New Casting	New Casting	New Casting	New Casting	New Casting	New Casting	New Casting	New Casting	New Casting	New Casting	New Casting	New Casting

*A4.4 Step Air-adjust A,Air C:Compression F:Flow-Gate L:Lockout P:Preload RL:Remote Lockout R:Rebound

*Above measurements are just for reference only. Please check the actual dimension for appropriate setting.

2012 PRODUCT SPECIFICATION

Cross

Bike Category	NEON															
	VITA				NEON-PLS (Post Lighting System)				NEON ICS (Integrated Crown Set)							
Model	RL	TNL	ML	RL	TNL	ML	T	RL	TNL	ML	T	RL	TNL	ML	T	
Steerer	28.6/25.4mm Steel	28.6/25.4mm Steel	28.6/25.4mm Steel	28.6/25.4mm Steel	28.6/25.4mm Steel	28.6/25.4mm Steel	28.6/25.4mm Steel	28.6/25.4mm Steel	28.6/25.4mm Steel	28.6/25.4mm Steel	28.6/25.4mm Steel	28.6/25.4mm Steel	28.6/25.4mm Steel	28.6/25.4mm Steel	28.6/25.4mm Steel	
1.5" Steerer (Straight or Taper)	---	---	---	---	---	---	---	---	---	---	---	---	---	---	---	
Crown	112mm Aluminum, ED Black	112mm Aluminum, ED Black	112mm Aluminum, ED Black	112mm Aluminum, ED Black	112mm Aluminum, ED Black	112mm Aluminum, ED Black	112mm Aluminum, ED Black	112mm Aluminum, ED Black	112mm Aluminum, ED Black	112mm Aluminum, ED Black	112mm Aluminum, ED Black	112mm Aluminum, ED Black	112mm Aluminum, ED Black	112mm Aluminum, ED Black	112mm Aluminum, ED Black	
ics crown	N/A	N/A	N/A	N/A	N/A	N/A	N/A	N/A	N/A	N/A	N/A	N/A	N/A	N/A	N/A	
Stanchion	28.6 steel Ti color	28.6 steel Ti color	28.6 steel Ti color	28.6 steel CP	28.6 steel CP	28.6 steel CP	28.6 steel CP	25.4 steel CP	25.4 steel CP	25.4 steel CP	25.4 steel CP	25.4 steel CP	25.4 steel CP	25.4 steel CP	25.4 steel CP	
Lower	Magnesium 10mm open dropout	Magnesium 10mm open dropout	Magnesium 10mm open dropout	Aluminum 10mm open dropout	Aluminum 10mm open dropout	Aluminum 10mm open dropout	Aluminum 10mm open dropout	Aluminum 10mm open dropout	Aluminum 10mm open dropout	Aluminum 10mm open dropout	Aluminum 10mm open dropout	Aluminum 10mm open dropout	Aluminum 10mm open dropout	Aluminum 10mm open dropout	Aluminum 10mm open dropout	
Feature	Hydraulic Remote Lock-out	Hydraulic Lock-out	Mechanical Lock-out	Hydraulic Remote Lock-out	Hydraulic Lock-out	Mechanical Lock-out	---	Hydraulic Remote Lock-out	Hydraulic Lock-out	Mechanical Lock-out	---	Hydraulic Remote Lock-out	Hydraulic Lock-out	Mechanical Lock-out	---	
Damper	Hydraulic Cartridge	Hydraulic Cartridge	---	Hydraulic Cartridge	Hydraulic Cartridge	---	---	Hydraulic Cartridge	Hydraulic Cartridge	---	---	Hydraulic Cartridge	Hydraulic Cartridge	---	---	
Spring	Coil/MCU	Coil/MCU	Coil/MCU	Coil/MCU	Coil/MCU	Coil/MCU	Coil/MCU	Coil/MCU	Coil/MCU	Coil/MCU	Coil/MCU	Coil/MCU	Coil/MCU	Coil/MCU	Coil/MCU	
Adjustment	RL, P (easy preload)	L, P (easy Preload)	L, P (easy preload)	RL, P	L, P	L, P	P	RL, P	L, P	L, P	P	RL, P	L, P	L, P	P	
Travel	50, 60mm	50, 60mm	700C: 50, 60mm	700C: 50, 60mm	700C: 50, 60mm	700C: 50, 60mm	700C: 50, 60mm	700C: 50, 60mm	700C: 50, 60mm	700C: 50, 60mm	700C: 50, 60mm	700C: 50, 60mm	700C: 50, 60mm	700C: 50, 60mm	700C: 50, 60mm	
Fork height (mm)	460 / 470	460 / 470	700C: 460 / 470,	700C: 460 / 470,	700C: 460 / 470,	700C: 460 / 470,	700C: 460 / 470,	700C: 460 / 470,	700C: 460 / 470,	700C: 460 / 470,	700C: 460 / 470,	700C: 460 / 470,	700C: 460 / 470,	700C: 460 / 470,	700C: 460 / 470,	
Seal/Boot	spring seal	spring seal	spring seal	spring seal	spring seal	spring seal	spring seal	spring seal	spring seal	spring seal	spring seal	spring seal	spring seal	spring seal	spring seal	
Brake Type	Disc or D+V	Disc or D+V	Disc only or D+V	Disc only or D+V	Disc only or D+V	Disc only or D+V	Disc only or D+V	Disc only or D+V	Disc only or D+V	Disc only or D+V	Disc only or D+V	Disc only or D+V	Disc only or D+V	Disc only or D+V	Disc only or D+V	
Disc Brake Mount	IS	IS	IS	IS	IS	IS	IS	IS	IS	IS	IS	IS	IS	IS	IS	
Recommended Max. Rotor Size in mm	180	180	180	180	180	180	180	180	180	180	180	180	180	180	180	
Dynamo Bracket Mount	N/A	N/A	N/A	N/A	N/A	N/A	N/A	N/A	N/A	N/A	N/A	N/A	N/A	N/A	N/A	
Cable Guide for Hub Dynamo	Option	Option	Option	Option	Option	Option	Option	Option	Option	Option	Option	Option	Option	Option	Option	
Roller Brake Mount	N/A	N/A	N/A	N/A	N/A	N/A	N/A	N/A	N/A	N/A	N/A	N/A	N/A	N/A	N/A	
Weight (kgs) (w/steerer at 200mm)	2.13	2.08	1.85	2.26	2.21	1.98	2.18	2.18	2.13	1.93	2.13	2.18	2.13	1.93	2.13	
Wheel size	700C only															
Origin of Production	China				China				China				China			
2011 VS 2010	---	---	---	---	---	---	---	---	---	---	---	---	---	---	---	
Remarks	Post Lighting System on arch for integrated design with front lamp and fork front tight															

*4A:4 Step Air-adjust A:Air-C:Compression F:Flow-Gate L:Lockout P:Preload RL:Remote Lockout R:Rebound
 **Above measurements are just for reference only. Please check the actual dimension for appropriate setting.

2012 PRODUCT SPECIFICATION

Bike Category	Trekking															
	WISH				SOFI PLS (Post Light System)				SOFI ICS (Integrated Crown Set)				SOFI			
Model	RL	TNL	ML	RL	TNL	ML	T	RL	TNL	ML	T	RL	TNL	ML	T	
Steerer	28.6/25.4mm Steel	28.6/25.4mm Steel	28.6/25.4mm Steel	T	28.6/25.4mm Steel	28.6/25.4mm Steel	28.6/25.4mm Steel	28.6/25.4mm Steel	28.6/25.4mm Steel	28.6/25.4mm Steel	28.6/25.4mm Steel	28.6/25.4mm Steel	28.6/25.4mm Steel	28.6/25.4mm Steel	28.6/25.4mm Steel	
1.5" Steerer (Straight or Taper)	---	---	---	---	---	---	---	---	---	---	---	---	---	---	---	
Crown	112mm Aluminum, ED Black	112mm Aluminum, ED Black	112mm Aluminum, ED Black	112mm Aluminum, ED Black	112mm Aluminum, ED Black	112mm Aluminum, ED Black	112mm Aluminum, ED Black	112mm Aluminum, ED Black	112mm Aluminum, ED Black	112mm Aluminum, ED Black	112mm Aluminum, ED Black	112mm Aluminum, ED Black	112mm Aluminum, ED Black	112mm Aluminum, ED Black	112mm Aluminum, ED Black	
ics crown	Option	Option	Option	N/A	N/A	N/A	N/A	Yes	Yes	Yes	Yes	N/A	N/A	N/A	N/A	
Stanchion	28.6 steel Ti color	28.6 steel Ti color	28.6 steel Ti color	28.6 steel CP	28.6 steel CP	28.6 steel CP	28.6 steel CP	25.4 steel CP	25.4 steel CP	25.4 steel CP	25.4 steel CP	25.4 steel CP	25.4 steel CP	25.4 steel CP	25.4 steel CP	
Lower	Magnesium 10mm open dropout	Magnesium 10mm open dropout	Magnesium 10mm open dropout	Aluminum 10mm open dropout	Aluminum 10mm open dropout	Aluminum 10mm open dropout	Aluminum 10mm open dropout	Aluminum 10mm open dropout	Aluminum 10mm open dropout	Aluminum 10mm open dropout	Aluminum 10mm open dropout	Aluminum 10mm open dropout	Aluminum 10mm open dropout	Aluminum 10mm open dropout	Aluminum 10mm open dropout	
Feature	Hydraulic Remote Lock-out,	Hydraulic Lock-out,	Mechanical Lock-out	Hydraulic Remote Lock-out	Hydraulic Lock-out	Mechanical Lock-out	---	Hydraulic Remote Lock-out	Hydraulic Lock-out	Mechanical Lock-out	---	Hydraulic Remote Lock-out	Hydraulic Lock-out	Mechanical Lock-out	---	
Damper	Hydraulic Cartridge	Hydraulic Cartridge	---	Hydraulic Cartridge	Hydraulic Cartridge	---	---	Hydraulic Cartridge	Hydraulic Cartridge	---	---	Hydraulic Cartridge	Hydraulic Cartridge	---	---	
Spring	Coil/MCU	Coil/MCU	Coil/MCU	Coil/MCU	Coil/MCU	Coil/MCU	Coil/MCU	Coil/MCU	Coil/MCU	Coil/MCU	Coil/MCU	Coil/MCU	Coil/MCU	Coil/MCU	Coil/MCU	
Adjustment	RL, P (easy preload)	L, P (easy preload)	L, P (easy preload)	RL, P	L, P	L, P	P	RL, P	L, P	L, P	P	RL, P	L, P	L, P	P	
Travel		50, 60mm			700C: 40, 50mm				700C: 40, 50mm				700C: 40, 50mm		26": 50mm	
Fork height (mm)		460 / 470			700C: 450 / 460				700C: 450 / 460,				700C: 450 / 460,		26": 450	
Seal/Boot		spring seal			spring seal				spring seal				spring seal		spring seal	
Brake Type		D+V			V-brake only				V-brake only				V-brake only		V-brake only	
Disc Brake MountW		IS			N/A				N/A				N/A		N/A	
Recommended Max. Rotor Size in mm		180			N/A				N/A				N/A		N/A	
Dynamo Bracket Mount	N/A	N/A	N/A	N/A	N/A	N/A	N/A	Yes	Yes	Yes	Yes	Yes	Yes	Yes	Yes	
Cable Guide for Hub Dynamo	Option	Option	Option	Option	Option	Option	Option	Option	Option	Option	Option	Option	Option	Option	Option	
Roller Brake Mount	N/A	N/A	N/A	N/A	N/A	N/A	N/A	N/A	N/A	N/A	N/A	N/A	N/A	N/A	N/A	
Weight (kgs) (w/steerer at 200mm)	2.15	2.10	1.85	2.30	2.25	2.00	2.20	2.30	2.25	2.00	2.20	2.30	2.25	2.00	2.20	
Wheel size	Available for 700C															
Origin of Production	China				China				China				China			
2011 VS 2010	New				New				New				New			
Remarks	Post Lighting System on arch for integrated design with front lamp and fork front/light															

*4A.4 Step Air-adjust A:Air C:Compression F:Flow-Gate L:Lockout P:Preload RL:Remote Lockout R:Rebound

*Above measurements are just for reference only. Please check the actual dimension for appropriate setting.

2012 PRODUCT SPECIFICATION

Bike Category	Sport										Cross (Straight Lower)			Trekking (Curve Lower)		
	URBAN										777			790		
	191	191		191		191		191		191		777		790		
Model	RL	TNL	ML	T	ML	T-D	C-D	T-V	C-V	T	C	T	C			
Steerer	28.6/25.4mm Steel	28.6/25.4mm Steel	28.6/25.4mm Steel	28.6/25.4mm Steel	28.6/25.4mm Steel	28.6/25.4mm Steel	28.6/25.4mm Steel	28.6/25.4mm Steel	28.6/25.4mm Steel	28.6/25.4mm Steel	28.6/25.4mm Steel	28.6/25.4mm Steel	28.6/25.4mm Steel			
1.5" Steerer (Straight or Taper)	---	---	---	---	---	---	---	---	---	---	---	---	---			
Crown	112mm Aluminum, ED Black	112mm Aluminum, ED Black	112mm Aluminum, ED Black	112mm Aluminum, ED Black	125mm Aluminum, ED Black	125mm Aluminum, ED Black	125mm Aluminum, ED Black	125mm Aluminum, ED Black	125mm Aluminum, ED Black	112mm Aluminum, ED Black	112mm Aluminum, ED Black	107mm Aluminum, ED Black	107mm Aluminum, ED Black			
ics crown	option	option	option	option	---	---	---	---	---	---	---	---	---			
Stanchion	25.4 steel CP	25.4 steel CP	25.4 steel CP	25.4 steel CP	28.6 steel CP	28.6 steel CP	28.6 steel CP	28.6 steel CP	28.6 steel CP	25.4 steel CP	25.4 steel CP	25.4 steel CP	25.4 steel CP			
Lower	Aluminum 10mm open dropout	Aluminum 10mm open dropout	Aluminum 10mm open dropout	Aluminum 10mm open dropout	Steel 10mm open dropout	Steel 10mm open dropout	Steel 10mm open dropout	Steel 10mm open dropout	Steel 10mm open dropout	Steel 10mm open dropout	Steel 10mm open dropout	Steel 10mm open dropout	Steel 10mm open dropout			
Feature	Hydraulic Remote Lock-out	Hydraulic Lock-out	Mechanical Lock-out	---	Mechanical Lock-out	Spring Preload	---	Spring Preload	---	Spring Preload	---	Spring Preload	---			
Damper	Hydraulic Cartridge	Hydraulic Cartridge	---	---	---	---	---	---	---	---	---	---	---			
Spring	Coil/MCU	Coil/MCU	Coil/MCU	Coil/MCU	Coil	Coil	Coil	Coil	Coil	Coil	Coil	Coil	Coil			
Adjustment	RL, P	L, P	L, P	P	L, P	P	---	P	---	P	---	P	---			
Travel	40mm	40mm	40mm	40mm	26"/24"/20": 80/50/30mm	460 / 398 / 337	26"/24"/20": 80/45/30mm	26"/24"/20": 80/50/30mm	26"/24"/20": 80/45/30mm	50mm	460	460 / 438 / 407	700C/26"/24": 50/50/40mm			
Fork height (mm)	450	450	450	450	460 / 398 / 337	460 / 398 / 337	460 / 398 / 337	460 / 398 / 337	460 / 398 / 337	460	460	460 / 438 / 407	460 / 438 / 407			
Seal/Boot	spring seal	spring seal	spring seal	spring seal	mini boot	mini boot	mini boot	mini boot	mini boot	mini boot	mini boot	mini boot	mini boot			
Brake Type	Roller and disc brake only, no V-brake available	Roller and disc brake only, no V-brake available	Roller and disc brake only, no V-brake available	Roller and disc brake only, no V-brake available	Disc & V-brake	Disc & V-brake	Disc & V-brake	V-brake only	V-brake only	V-brake only	V-brake only	V-brake only	V-break (Optional roller Brake)			
Disc Brake Mount	IS	IS	IS	IS	IS	IS	---	---	---	Option	Option	Option	---			
Recommended Max. Rotor Size in mm	160	160	160	160	160	160	---	N/A	N/A	N/A	N/A	N/A	N/A			
Dynamo Bracket Mount	Yes	Yes	Yes	Yes	---	---	---	---	---	Yes	Yes	Yes	Yes			
Cable Guide for Hub Dynamo	Option	Option	Option	Option	---	---	---	---	---	---	---	---	---			
Roller Brake Mount	Yes	Yes	Yes	Yes	---	---	---	---	---	---	---	Option	Option			
Weight (kgs) (w/steerer at 200mm)	2.15	2.10	1.83	2.03	26"	2.35	2.35	2.3	2.3	2.3	2.3	2.00	2.00			
Wheel size	700C only	700C only	700C only	700C only	Available for 26/24/20"	Available for 26/24/20"	Available for 26/24/20"	700C only	700C only	700C only	700C only	Available for 700C/26"/24"	Available for 700C/26"/24"			
Origin of Production	China	China	China	China	New	China	China	China	China	China	China	China	China			
2011 VS 2010	---	---	---	---	New	---	---	---	---	---	---	---	---			
Remarks	ML function available with 191 T-D															

*4A, 4 Step Air-adjust A: Air C: Compression F: Flow-Gate L: Lockout P: Preload RL: Remote Lockout R: Rebound
 *Above measurements are just for reference only. Please check the actual dimension for appropriate setting.

2012 PRODUCT SPECIFICATION

Model	SINGLE SHOCK									
	SS-M7-T	SS-M7	SS-M8-T	SS-M6	SS-M4-T	SS-M4	SS-M2-100	SS-M2-75	SS-M2-100S	
Steerer	28.6mm 7050 Aluminum (200mm length min.)	28.6mm 7050 Aluminum (200mm length min.)	28.6mm 7050 Aluminum (200mm length min.)	28.6mm 7050 Aluminum (200mm length min.)	28.6mm 7050 Aluminum (200mm length min.)	28.6mm 7050 Aluminum (200mm length min.)	28.6mm 7050 Aluminum (200mm length min.)	28.6mm 7050 Aluminum (200mm length min.)	28.6mm 7050 Aluminum (120-199mm length min.)	
Lower	Magnesium 10mm open dropout	Magnesium 10mm open dropout	Magnesium 10mm open dropout	Magnesium 10mm open dropout	Magnesium 10mm open dropout	Magnesium 10mm open dropout	Magnesium 10mm open dropout	Magnesium 10mm open dropout	Magnesium 10mm open dropout	
Feature	Mag. blade Spring preload	Mag. blade Spring preload	Mag. blade Spring preload	Mag. blade	Mag. blade Spring preload	Mag. blade	Mag. Blade (straight) Dropout pitch 100mm	Mag. Blade (curve) Dropout pitch 75mm	Mag. Blade (straight) / Dropout pitch 100mm	
Damper	—	—	—	—	—	—	—	—	—	
Spring	Coil with bumper	Coil with bumper	Coil with bumper	Coil with bumper	Coil with bumper	Coil with bumper	Coil with bumper	Coil with bumper	Coil with bumper	
Adjustment	P	P	P	—	P	—	—	—	—	
Travel	30mm	30mm	30mm	35mm	30mm	30mm	30mm	30mm	30mm	
Fork height (mm)	475	470	440	435	415	405	353	345	353	
Seal/Boot	Long Boot	Long Boot	Long Boot	Long Boot	Long Boot	Long Boot	Long Boot	Long Boot	Long Boot	
Lockout Function	Option	Option	Option	Option	Option	Option	—	—	—	
Brake Type	Disc & V-brake (Optional Roller Mount)									
Disc Brake Mount	IS	IS	IS	IS	IS	IS	IS	N/A	IS	
Dynamo Bracket Mount	Yes	Yes	Yes	Yes	Yes	Yes	—	—	—	
Cable Guide for Hub Dynamo	Yes	Yes	Yes	Yes	Yes	Yes	—	—	—	
Roller Brake Mount	Option	Option	Option	Option	—	—	—	—	—	
Weight (kgs) (w/steerer at 200mm)	1.20	1.20	1.15	1.15	1.03	1.03	0.95	0.95	0.95	
Wheel size	700c									
Availability	Now	Now	Now	Now	Now	Now	Now	Now	Now	
Origin of Production	Taiwan	Taiwan	Taiwan	Taiwan	Taiwan	Taiwan	Taiwan	Taiwan	Taiwan	
2012 VS 2011	—	—	—	—	—	—	—	—	—	
Remarks										

*4A:4 Step Air-adjust A:Air C:Compression F:Flow-Gate L:Lockout P:Preload R:L:Remote Lockout R:Rebound
*Above measurements are just for reference only. Please check the actual dimension for appropriate setting.

2012 PRODUCT SPECIFICATION

Model	SINGLE SHOCK							RIGID FORK			
	SS-M2-75S	SS-A7-T	SS-A7	SS-A6-T	SS-A6	RF-M7	RF-M6	RF-M4	RF-M2-75	RF-M2-100	
Steerer	28.6mm 7050 Aluminum (120~199mm length min.)	28.6mm 7050 Aluminum (200mm length min.)	28.6mm 7050 Aluminum (200mm length min.)	28.6mm 7050 Aluminum (200mm length min.)	28.6mm 7050 Aluminum (200mm length min.)	28.6mm 7050 Aluminum	28.6mm 7051 Aluminum	28.6mm 7051 Aluminum	28.6mm 7053 Aluminum	28.6mm 7053 Aluminum	
Lower	Magnesium 10mm open dropout	Aluminum 10mm open dropout	Aluminum 10mm open dropout	Aluminum 10mm open dropout	Aluminum 10mm open dropout	Magnesium 10mm open dropout	Magnesium 10mm open dropout	Magnesium 10mm open dropout	Magnesium 10mm open dropout	Magnesium 10mm open dropout	
Feature	Mag. Blade (curve) Dropout pitch 75mm	Alu. Blade Spring preload	Alu. Blade	Alu. Blade Spring preload	Alu. Blade	Mag Blade	Mag Blade	Mag Blade	Mag Blade (Curve) Dropout pitch 75mm	Mag Blade (Straight) Dropout pitch 100mm	
Damper	-	-	-	-	-	-	-	-	-	-	
Spring	Coil with bumper	Coil with bumper	Coil with bumper	Coil with bumper	Coil with bumper	-	-	-	-	-	
Adjustment	-	P	-	P	-	-	-	-	-	-	
Travel	30mm	30mm	35mm	30mm	35mm	-	-	-	-	-	
Fork height (mm)	345	460	455	440	435	408	373	348	293	293	
Seal/Boot	Long Boot	Long Boot	Long Boot	Long Boot	Long Boot	-	-	-	-	-	
Lockout Function	-	Option	Option	Option	Option	-	-	-	-	-	
Brake Type	V-brake	Disc only or Disc & V-brake (Optional Roller Mount)	Disc only or Disc & V-brake (Optional Roller Mount)	Disc & V-brake (Optional Roller Mount)	Disc & V-brake (Optional Roller Mount)	Disc & V-brake (Optional Roller Mount)	Disc & V-brake	Disc & V-brake	V-brake only	Disc & V-brake	
Disc Brake Mount	N/A	IS	IS	IS	IS	IS	IS	IS	N/A	IS	
Dynamo Bracket Mount	-	Yes	Yes	Yes	Yes	Yes	Yes	Yes	-	Yes	
Cable Guide for Hub Dynamo	-	Yes	Yes	Yes	Yes	Yes	Yes	Yes	-	Yes	
Roller Brake Mount	-	Option	Option	Option	Option	Yes	Yes	-	-	-	
Weight (kgs) (w/steerer at 200mm)	0.95	1.55	1.55	1.50	1.50	0.83	0.75	0.85	0.54	0.57	
Wheel size	20"	700c	700c	26"	26"	700C	26"	24"	20"	20"	
Availability	Now	Now	Now	Now	Now	Now	Now	Now	Now	Now	
Origin of Production	Taiwan	Taiwan	Taiwan	Taiwan	Taiwan	Taiwan	Taiwan	Taiwan	Taiwan	Taiwan	
2012 VS 2011	-	-	-	-	-	-	-	-	-	-	
Remarks	*A4.4 Step Air-adjust A:Air C:Compression F:Flow-Gate L:Lockout P:Preload RL:Remote Lockout R:Rebound *Above measurements are just for reference only. Please check the actual dimension for appropriate setting.										

GLOBAL OVERVIEW

RST USA OFFICE. CEDARBURG, WISCONSIN

After-Sales Service, Marketing, N. America
 Contact : Patrick Tilley, Ed Breslau
 Email : service@rst-usa.com

RST S.CHINA. HUIYANG, CHINA

Manufacturing (overseas)

RST E.CHINA. SUZHOU, CHINA

Manufacturing (domestic)

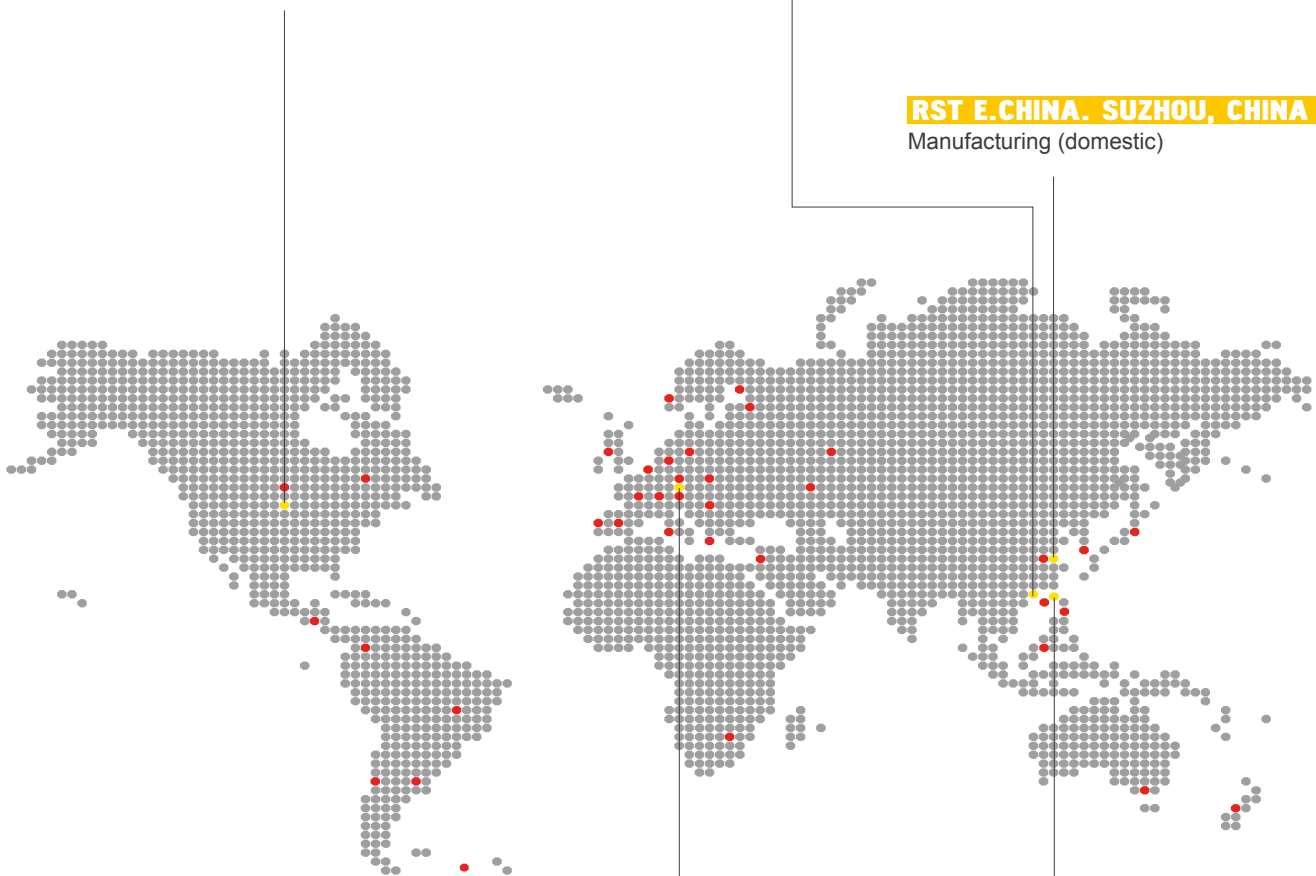
- RST Global office
- RST Global distributors

RST EUROPE OFFICE. STUTTART, GERMANY

After-sales service, Marketing, Europe sales
 Contact : Stephan Guddat, Lars Herzog
 Email : info@rst-europe.eu

RST HEADQUARTER. TAIPEI, TAIWAN

Product development, Global sales, Manufacturing
 Contact : James Hsu
 Email : rst@rst.com.tw



GLOBAL DISTRIBUTORS

ARGENTINA

Carlos Karabitian
Tel : 54-351-4936060
Fax: 54-351-4931003

AUSTRIA

Thalinger Lange GMBH
Tel : 43-7242-497260
Fax: 43-7242-497401

AUSTRALIA

Avanti Bicycle Co.,Ltd.
Tel : 03-9586-8300
Fax: 03-9586-8301

BRASIL

LM BIKE
Tel :55-37-3262-5100

CANADA

D'amour Bicycle & Sport. Inc
Tel : 1-514-637-6511
Fax: 1-514-637-7999

CHILE

Teknobike LTDA
Tel : 56-2-672-0236
Fax: 56-2-672-2273

COLOMBIA

BICICLETAS MILAN
TEL : 57-7-6711707
FAX : 57-7-6714552

COSTA RICA

DISTRIBUIDORA 86 S.R.L.
TEL : 506-445-6669
FAX : 506-445-6185

CZECH/SLOVAK REPUBLIC

Universe Agency spol. s.r.o
Tel : 420-2-2491-9143
Fax: 420-2-2491-8139

ESTONIA

Velo Plus.
Tel : 372-2-555-577
Fax: 372-6-556-308

FRANCE

RST-Paul Lange France SARL
Tel : 03-88-932101
Fax: 03-88-933432

GERMANY

Paul Lange & Co.
Tel : 49-711-258802
Fax: 49-711-2588305

GREECE

Nikos Maniatopoulos S.A.
Tel : 30-2610-993045
Fax: 30-2610-990424

BENELUX

Cyclia bv
Tel : 31-(0)20-6692936
Fax: 31-(0)20-6154589

HUNGARY

Velotrade Ltd.
Tel : 36-1-455-8010
Fax: 36-1-455-8019

INDONESIA

Ban Cong Hien
Tel : 62-31-3538686
Fax: 62-31-3537117

ISRAEL

Ranofun
Tel : 97-2545-600212
Fax: 972-8-9200061

ITALY

Ciclo Promo Components SPA
Tel : 39-0423-1996363
Fax: 39-0423-1996364

JAPAN

AKI Corporation, Ltd.
Tel : 81-72-887-5515
Fax: 81-72-887-5517

KOREA

MBS Corporation
Tel :82-55-265-9415
Fax:82-55-265-9419

NEW ZEALAND

Sheppard Industries, Ltd.
Tel : 64-9-915-5770
Fax: 64-9-915-5902

NORWAY

Deler A/S
Tel : 47-6498-9950
Fax: 47-6498-9968

PHILIPPINES

YKK Trading
Tel :6332-255-8853
Fax:6332-253-8489

POLAND

Velo Sp. Z. O. O.
Tel : 48-32-232-83-77
Fax: 48-32-232-83-80

PORTUGAL

Motokit
Tel :351-34-625607
Fax:351-34-625608

RUSSIA

Velomotors Co.,Ltd.
Tel :+7-095-559-0200
Fax:+7-095-559-1458

SLOVENIA/CROATIA

CS-EUROTRADE d.o.o.
Tel : 386-7-49-02-500
Fax: 386-7-49-02-549

SPAIN

Bicicletas Esteve
Tel :972-653-707
Fax:972-650-057

SWITZERLAND

Fuchs-movesa AG
Tel : 62-865-66-06
Fax: 62-865-66-09

UKRAINE

Paul Lange Ukraine
Tel : 38-004-3571-466
Fax: 38-004-4943-651

U.K.

The SILO
Tel : +44 (0)1288 331180
Fax: +44 (0)1288 331181

U.S.A

Quality Bicycle Products
Tel : 1-800-346-0004
Fax: 1-800-346-0211

CHINA

Suzhou Top way Precision Co., Ltd
Tel : 86-512-88855658
Fax: 86-512-88855656
www.rstlife.com



GLOBAL NETWORK

Head quarter Dah ken Ind.Co.,Ltd.

Tel:+886-2-85212351
Fax:+886-2-85216159
Email:rst@rst.com.tw
<http://www.rst.com.tw>

Euope

RST Europe Office
Tel:+49-711-2588221
Fax:+49-711-2588402
Email:info@rst-europe.eu
<http://www.rst.com.tw>

U.S.A

RST USA Service & Distrib
Tel:+1-262-618-4514
Fax:+1-262-618-4715
Email:service@rst-usa.com

China

Huizhou RST Ind,Co.,Ltd.
Tel:+86-752-3866000
Fax:+86-752-3866020
Email:rst@rst.com.tw